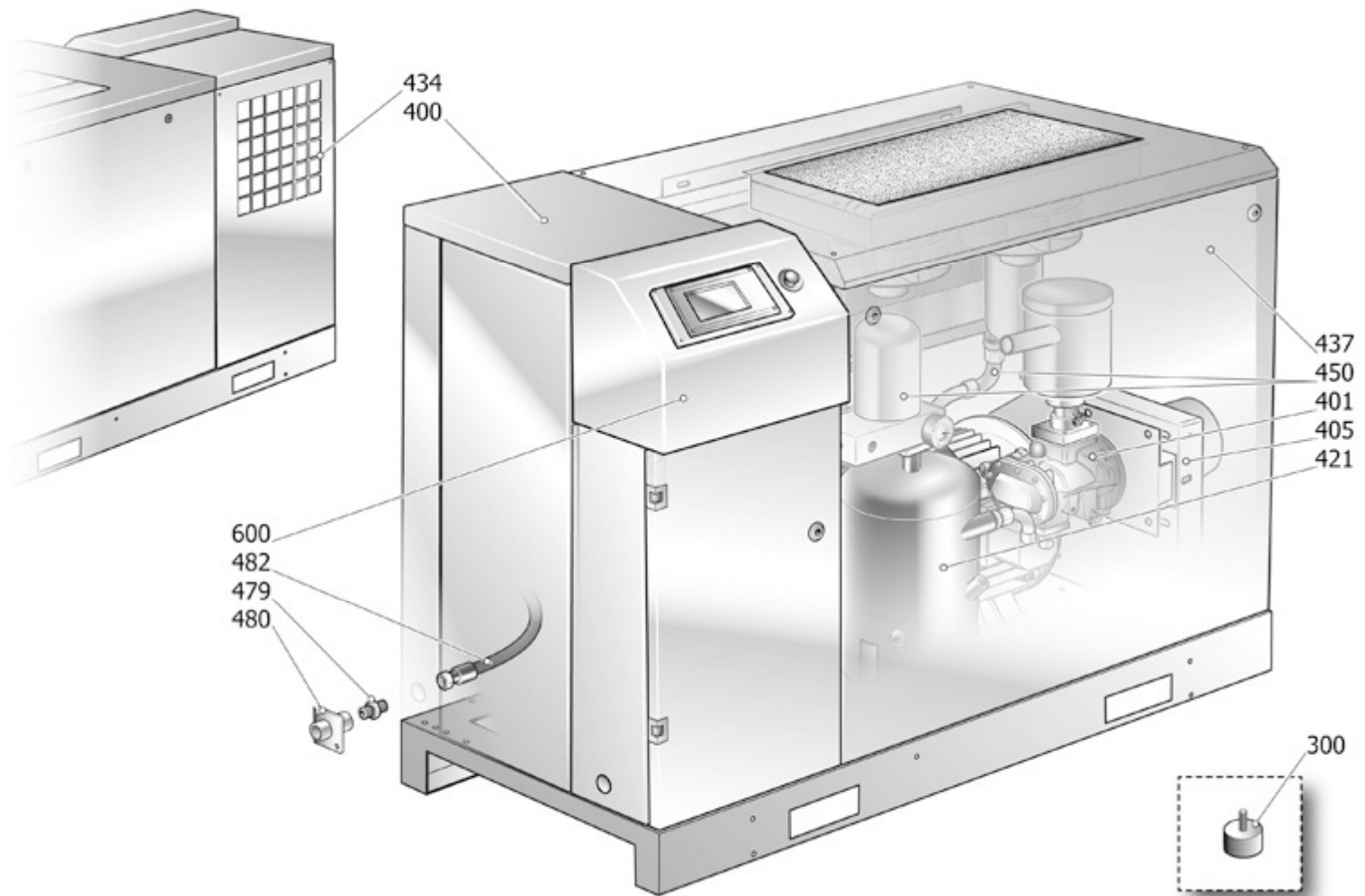


SSUR1



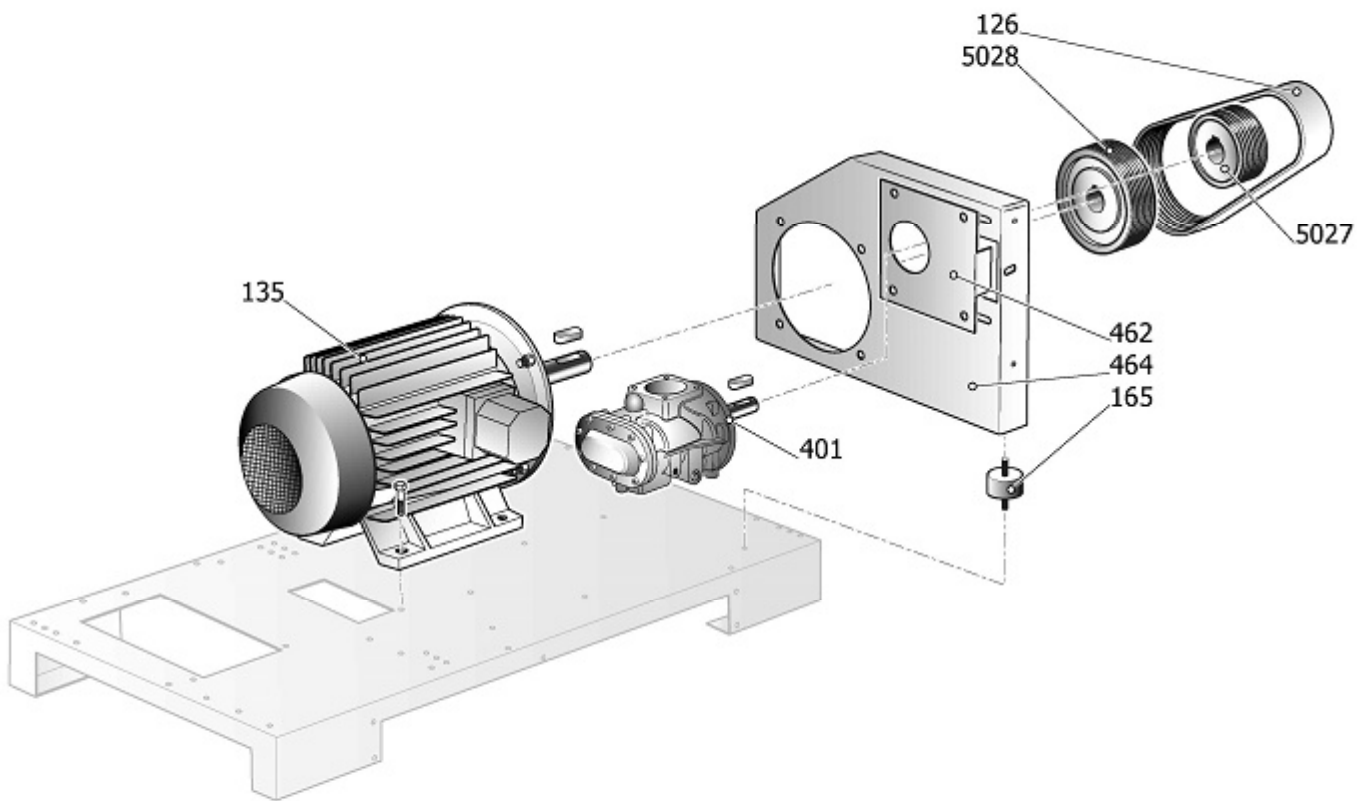


V60SV92N1N564

VEGA 18.5-10 (IE3)

Pos	Component	MU	Multiplier
300	41K0174	KIT RUEDAS/PIES	PZ 1,0
405		COMPONENTES DE ARRASTRE	
434	#160SY0044V44	PANEL TRASERO	PZ 1,0
436	#_160SY0064V44	BASE	PZ 1,0
437	#260SY0019V64	PORTILLO DELANTERO	PZ 1,0
439	#160SY0018V44	PANEL TRASERO IZQ.	PZ 1,0
444	#160SY0009V44	PANEL SUPERIOR	PZ 1,0
450		COMPONENTES DE COMPRESORES	
450		COMPONENTES DE COMPRESORES	
497	#160QQ0094	PREFILTRO	PZ 1,0
507	#160SY0060V44	CHAPA EMPALME	PZ 2,0
600	#460SV0340V44	CABINA ELECTRICA	PZ 1,0

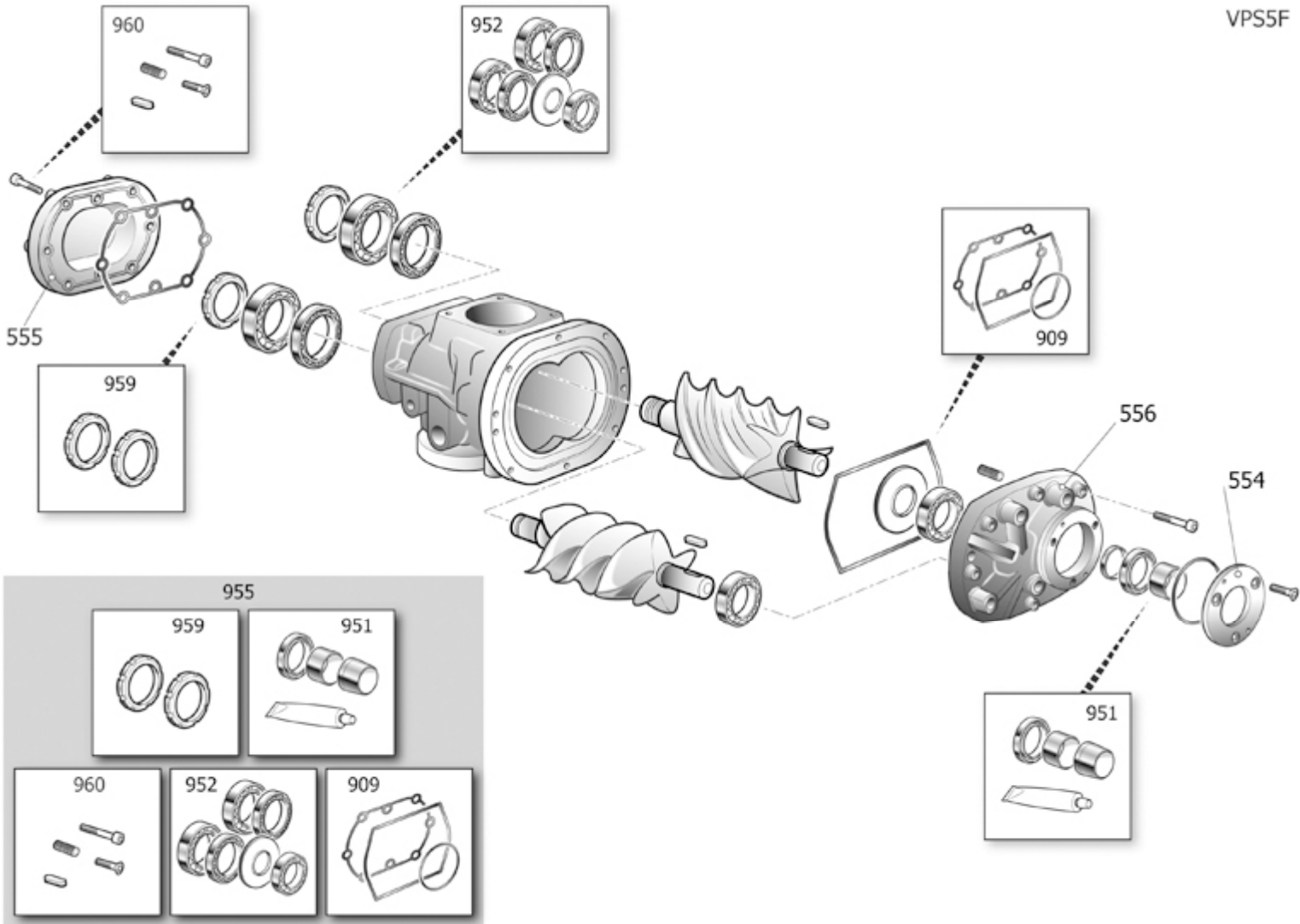
TSVR1





COMPONENTES DE ARRASTRE

Pos	Component	MU	Multiplier
126	#045217000	CORREA POLY V	PZ 1,0
135	#540P073622E3	MOTOR	PZ 1,0
135	#540P165622E3	MOTOR	PZ 1,0
165	#020194010	ANTIVIBR.D60X45 MM10X46 60SH	PZ 5,0
401	#5304000110	GRUPO TORNILLO	PZ 1,0
462	#160SY0026V44	PLACA TORNILLO-MOTOR	PZ 1,0
464	#160SY0027V44	PLACA TORNILLO	PZ 1,0
5027	#140439004	PULEGGIA 180-L8-38+BC2517	PZ 1,0
5028	#140442004	PULEGGIA 212-L8-42+BC2517	PZ 1,0



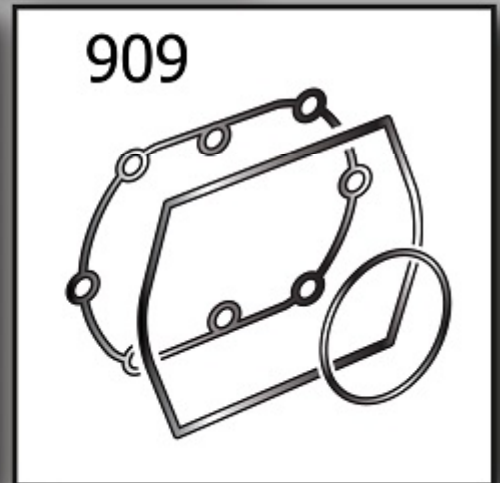
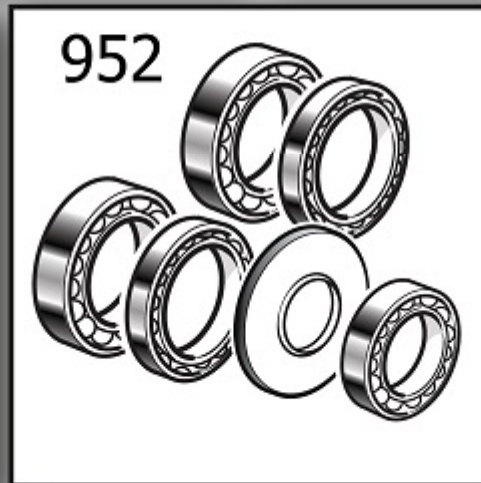
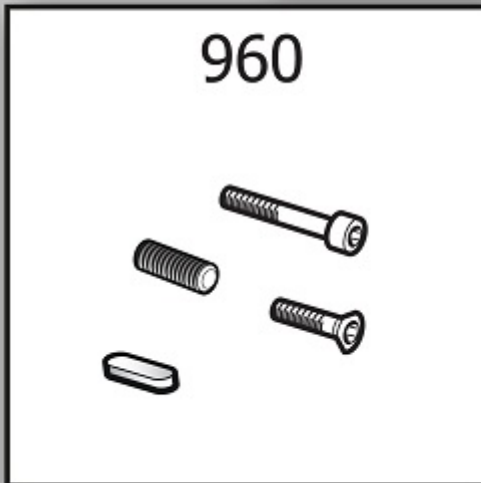
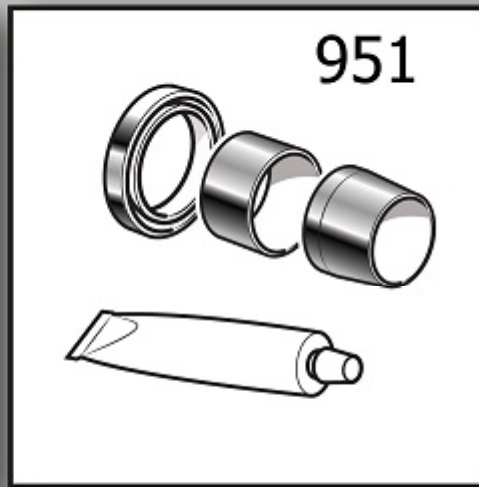
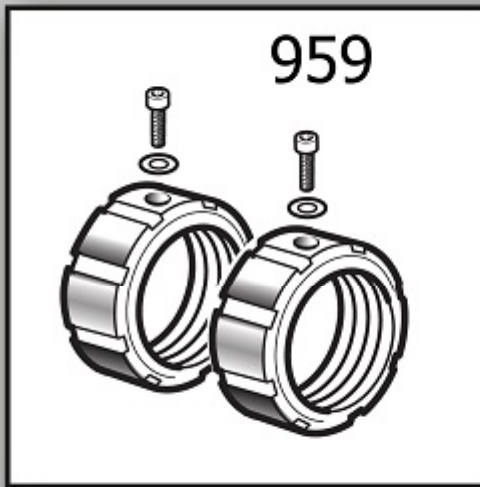


#5304000110

GRUPO TORNILLO

Pos	Component		MU	Multiplier
554	#130400013	SOPORTE ANILLO DE ESTANQUEIDAD	PZ	1,0
555	#130400003	TAPA TRASERA	PZ	1,0
556	#130400015	CAMPANA	PZ	1,0
955	#230400201	KIT REVISIONE GRUPPO VITE	PZ	1,0

955



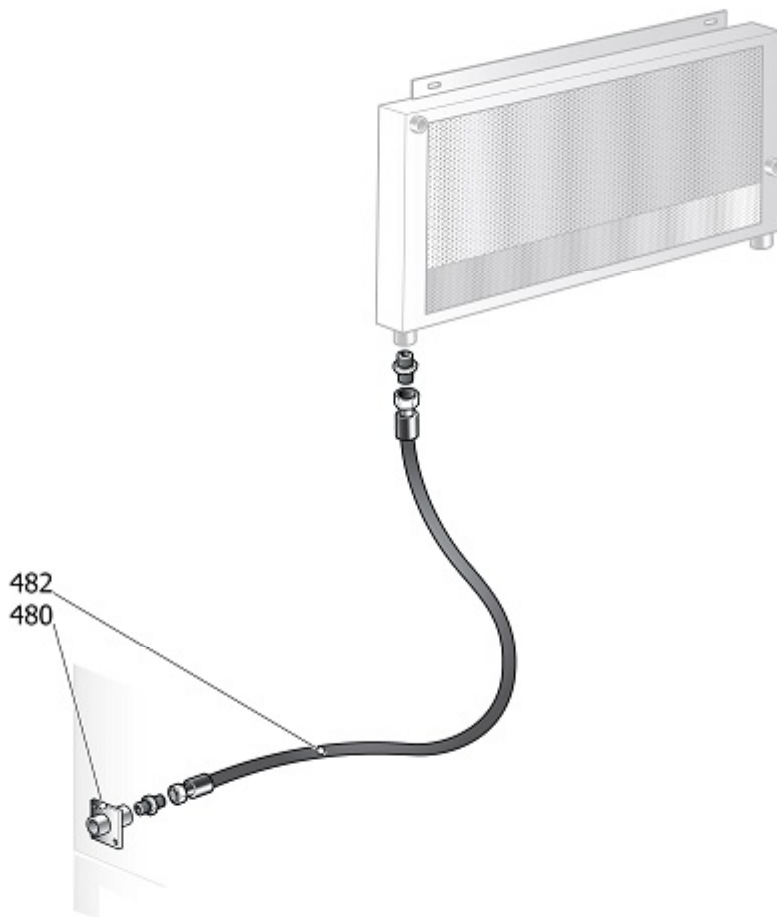


#230400201

KIT REVISIONE GRUPPO VITE

Pos	Component		MU	Multiplier
909	#230400250	KIT GUARNIZ. FS50TF/TFC/TM/TMC	PZ	1,0
951	#230400241	KIT JUNTA ESTANCA	PZ	1,0
952	#230400230	KIT COJINETES	PZ	1,0
959	#230400210	KIT GHIERE	PZ	1,0
960	#230400220	KIT VITERIA	PZ	1,0

LSJR4

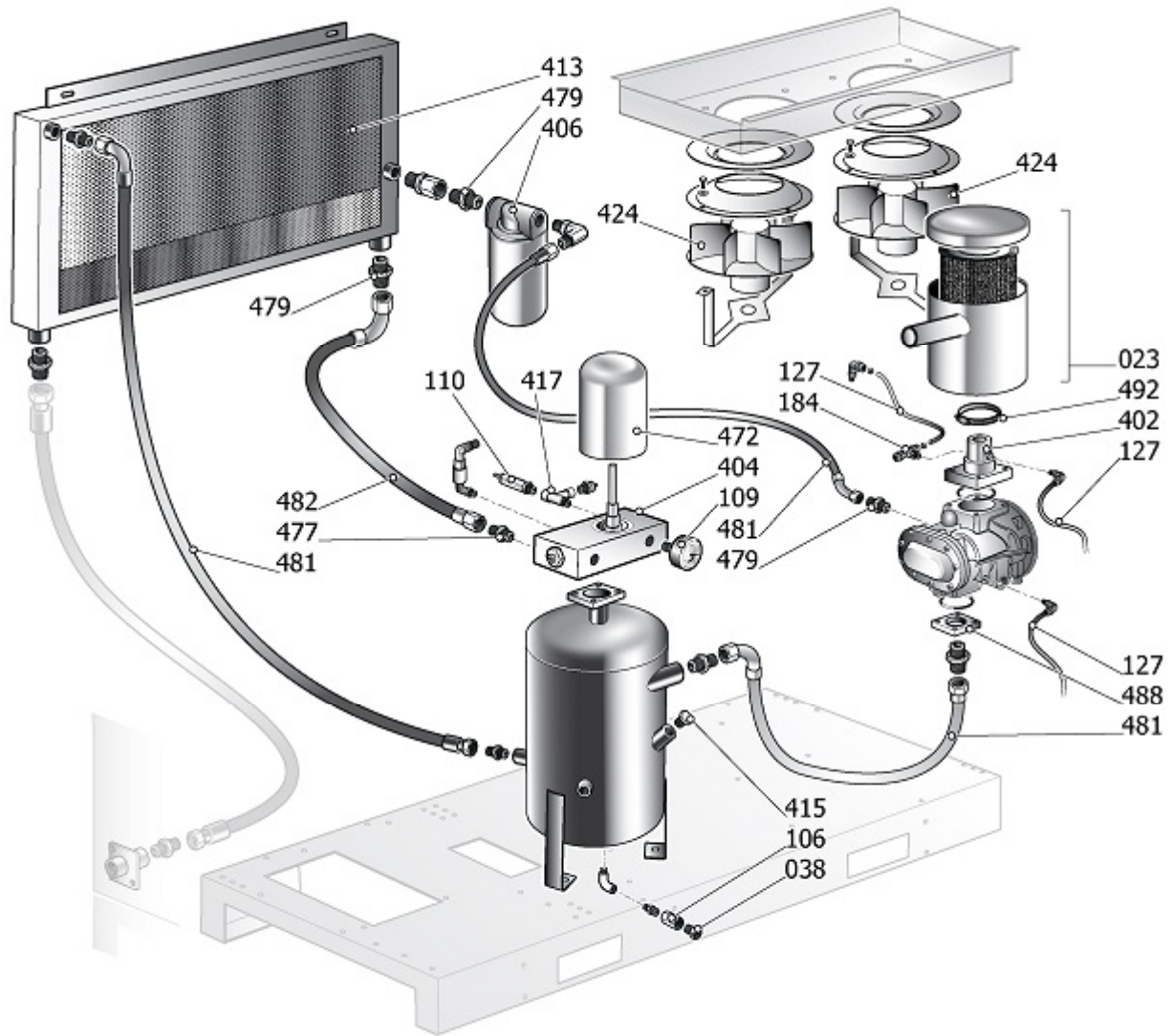




COMPONENTES DE COMPRESORES

Pos	Component		MU	Multiplier
480	#160SP0025	ABRAZADERA	PZ	1,0
3076	#160SY0045	TUBO FLX 3/4 BSP 2FD L1278	PZ	1,0
4014	#011000416	RACC.ADT.MM 3/4" OR-BSP	PZ	1,0
4055	#011000405	RACC.ADT.MM 1"X3/4" BSP	PZ	1,0

LSUR1



Pos	Component	MU	Multiplier
23	#317101000	GRUPO FILTRO AIRE	PZ 1,0
92	#010082000	JUNTA TAPA	PZ 1,0
106	#322056010	GRIFO DE LINEA	PZ 1,0
109	#330060100	MANOMETRO	PZ 1,0
127	9270019	TUBO RILSAN 4X6 PTFE NEUTRO	MT 0,1
130	9049309	VALVULA DE SEGURIDAD	PZ 1,0
404	#347150000SGL	VALVULA PRESION MINIMA	PZ 1,0
406	9054201	FILTRO ACEITE	PZ 1,0
408	#017101000	FILTRO AIRE 8UM D210	PZ 1,0
413	#048523000	RADIADOR AIRE ACEITE	PZ 1,0
416	#012120000	INDICADOR DRENAJE	PZ 1,0
417	#012077000	TAPON ACEITE	PZ 1,0
418	#011999008	TAPPO ESAG.M3/4" C/SFIATO+GRN	PZ 1,0
419	\$14402950	RACC.SEP ARIA-OLIO COMP VTDM46	PZ 1,0
420	#010054000	ANILLO OR 4187 VITON	PZ 1,0
420	#010090000	ANILLO OR 4250 VITON	PZ 1,0
421	#160SV0002V41	DEPOSITO SEPARADOR DE ACEITE	PZ 1,0
424	#024118015	ELECTROVENTILADOR	PZ 2,0
460	#160JL0111	CABEZA FILTRO ACEITE	PZ 1,0
472	#048353000	FILTRO SEPARADOR	PZ 1,0
479	4106488	NIPLE R1/2	PZ 1,0
484	4101206	UNION EN T R3/8	PZ 1,0
488	#160ED0073	ABRAZADERA IMPULSION	PZ 1,0
511	#160PU0118V44	STAFFA SUP.VENT.RAD.D280 7016B	PZ 2,0
705	#419260164SGL	GR.ASP.30DC-24V C/R (1,7) S/BP	PZ 1,0
3013	#151JO0019	TUBO FLX 1/2 BSP 2FD L780	PZ 1,0
3072	#160SY0030	TUBO FLX 1" BSP FD+F90 L598	PZ 1,0
3074	#160SY0032	TUBO FLX 1" BSP FD+F90 L1030	PZ 1,0
3075	#160SY0033	TUBO FLX 1/2 BSP FD+F90 L470	PZ 1,0
4000	#011000415	RACC.ADT.MM 1/2"X3/4" BSP	PZ 1,0
4001	#011000407	RACC.ADT.90°GIR MM1/2"X3/4"+OR	PZ 1,0
4003	#011000417	RACC.ADT.MM 1/2" OR-BSP	PZ 2,0
4005	#011100002	RACC.ADT.MF 1/2" GIR	PZ 1,0
4006	#011000411	RACC.ADT.90°MM 1/2"OR-BSP	PZ 1,0
4018	#011730000	NIPLE 1+OR	PZ 2,0
4054	#011729000	RACC.ADT.MM 1"X1"1/4 OR-BSP	PZ 2,0



#419260164SGL

GR.ASP.30DC-24V C/R (1,7) S/BP

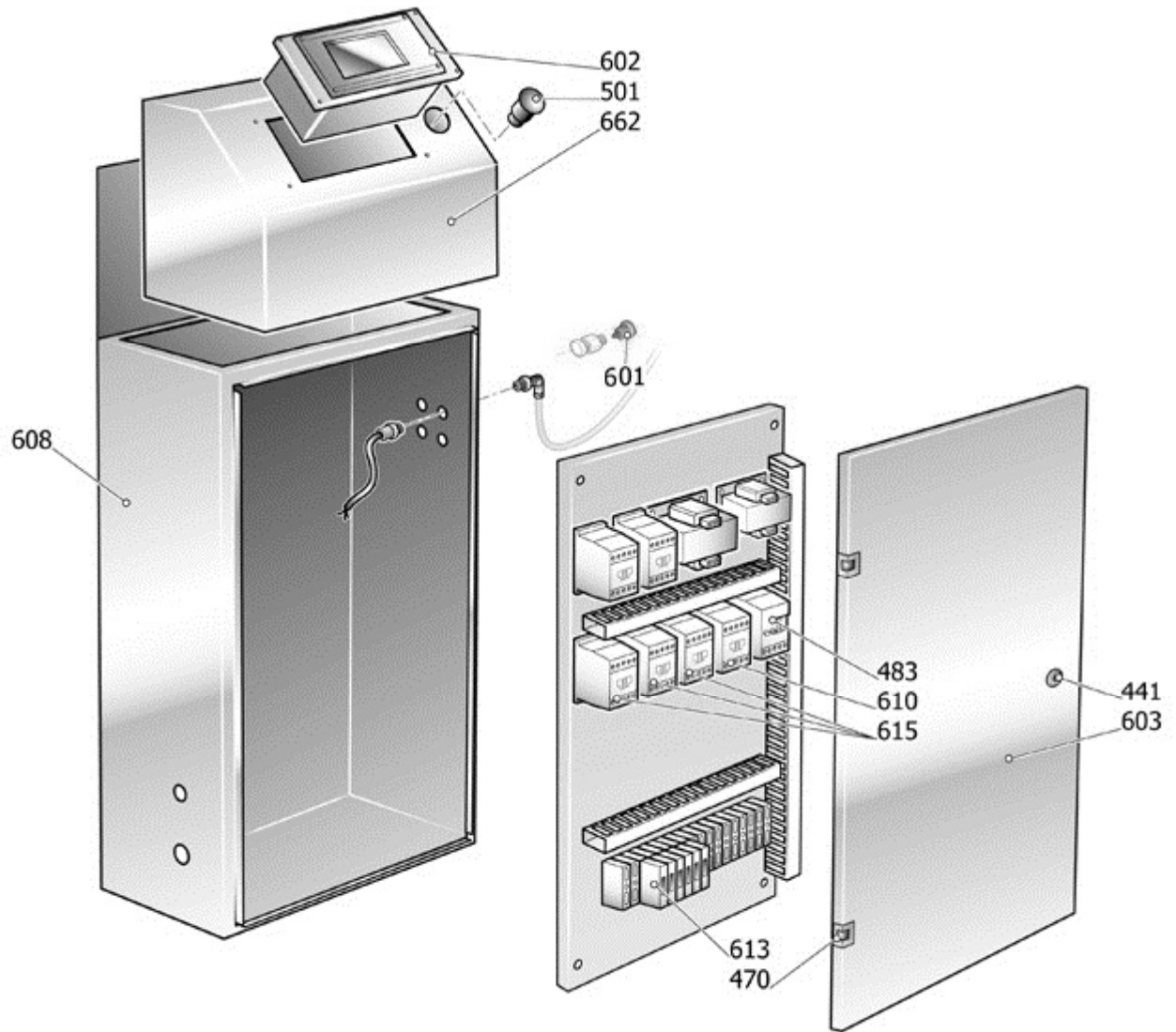


#419260164SGL

GR.ASP.30DC-24V C/R (1,7) S/BP

Pos	Component		MU	Multiplier
137	#008195020	ELECTROVALVULA	PZ	1,0
700	#199260001	BASE ASPIRAZIONE IR10/20 DC	PZ	1,0
703	#199260020	FLANGIA FLT ARIA IR30DC D50 NW	PZ	1,0
957	#260260050	KIT VALVULA DE ASPIRACION	PZ	1,0
966	#419261003	KIT MOLLA MARCIA VUOTO IR10-30	PZ	1,0

ESUR1





#460SV0340V44

CABINA ELECTRICA

Pos	Component		MU	Multiplier
483	E0M02278453	RELE TERMICO	PZ	1,0
501	EOP270KIT216	PULSANTE DE EMERGENCIA	PZ	1,0
601	#008333000	SONDA TEMPERATURA	PZ	1,0
602	#305420000SGL	CONTROLADOR ELECTRONICO	PZ	1,0
609	E0M14160324	TRANSFORMADOR	PZ	1,0
613	E0M11WEBGG01	FUS.10X38-1A CH10	PZ	2,0
613	E0M11WEBGG02	FUS.10X38-2A CH10	PZ	6,0
613	E0M11WEBGG06	FUS.10X38-6A CH10	PZ	2,0
615	E0M01276729	CONT.DILM9-01 24V 1NC 9A	PZ	2,0
615	E0M01277040	CONT.DILM17-01 24V 1NC 17A	PZ	1,0
615	E0M01277168	CONT.DILM25-01 24V 1NC 25A	PZ	2,0
620	#008167010	TRANSDUCTOR	PZ	1,0