

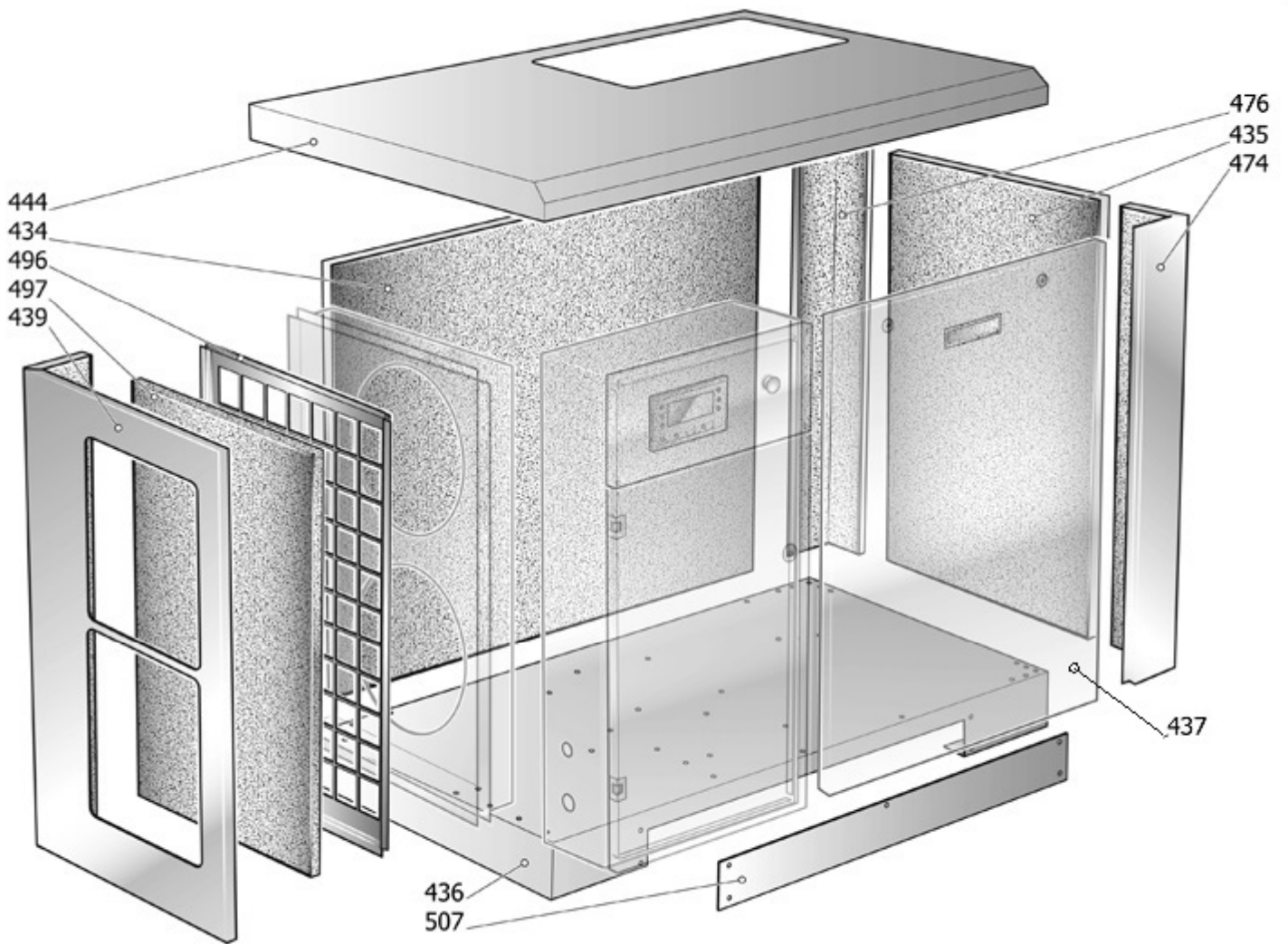


V60QB92N1N764

SIRIO 18.5-10 (IE3)

Pos	Component	MU	Multiplier
400	CABINA COMPLETA		
405	COMPONENTES DE ARRASTRE		
450	COMPONENTES DE COMPRESORES		
600	#460QA0500V44 CABINA ELECTRICA	PZ	1,0
1000	LONG LIFE KIT LIST		

MQAR1

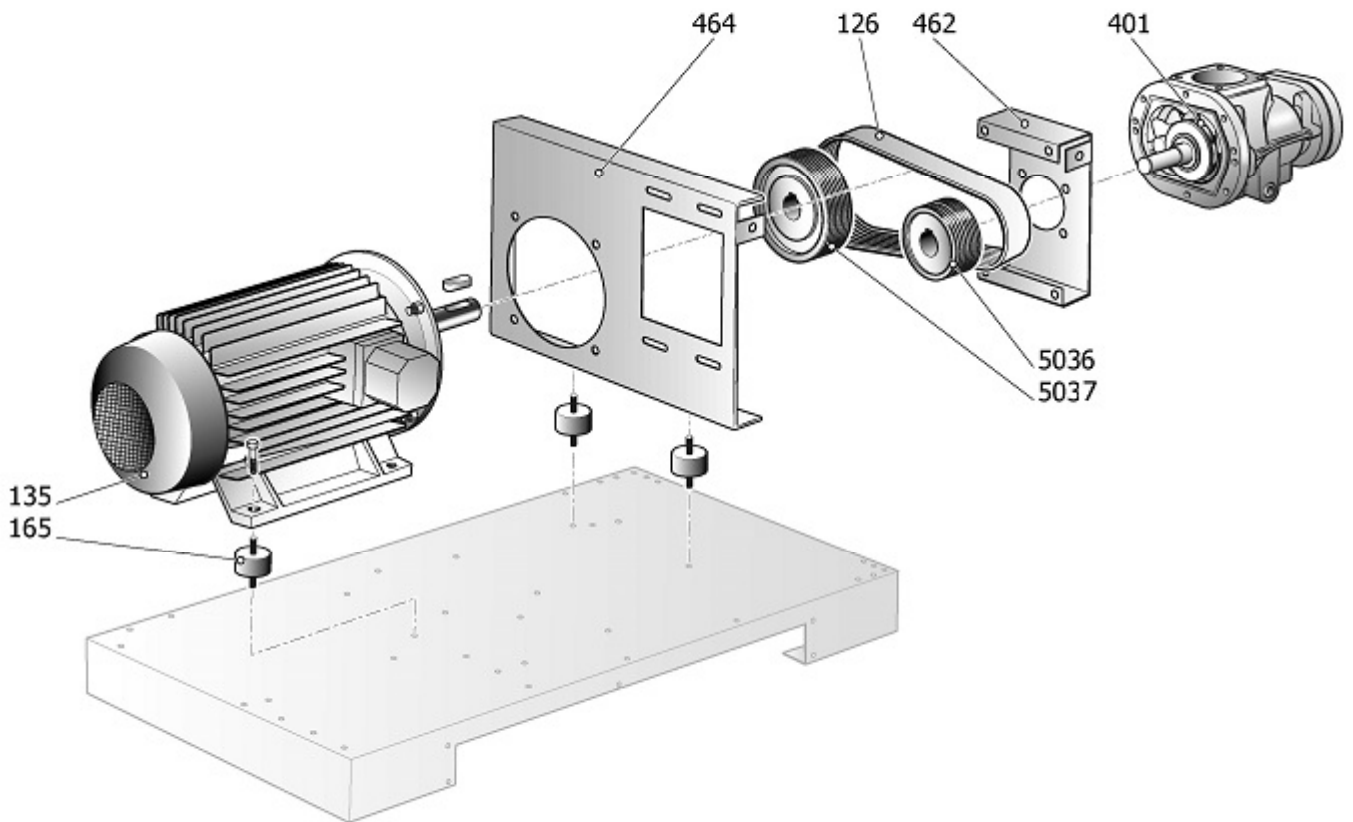




CABINA COMPLETA

Pos	Component	MU	Multiplier
434	#_260QQ0009V44	PANEL TRASERO	PZ 1,0
435	#_260QQ0003V44	PANEL TRASERO DER.	PZ 1,0
436	#_160QQ0005V44	BASE	PZ 1,0
437	#260QQ0013V64	PORTILLO DELANTERO	PZ 1,0
439	#_260QQ0004V44	PANEL TRASERO IZQ.	PZ 1,0
444	#_260QQ0006V44	PANEL SUPERIOR	PZ 1,0
474	#_260QQ0007V44	MONTANTE DELANTERO DERECHO	PZ 1,0
476	#_260QQ0008V44	MONTANTE TRASERO DERECHO	PZ 1,0
496	#_160QQ0002V44	REJILLA VENTILADOR	PZ 1,0
497	#160QQ0094	PREFILTRO	PZ 1,0
507	#160SY0060V44	CHAPA EMPALME	PZ 2,0

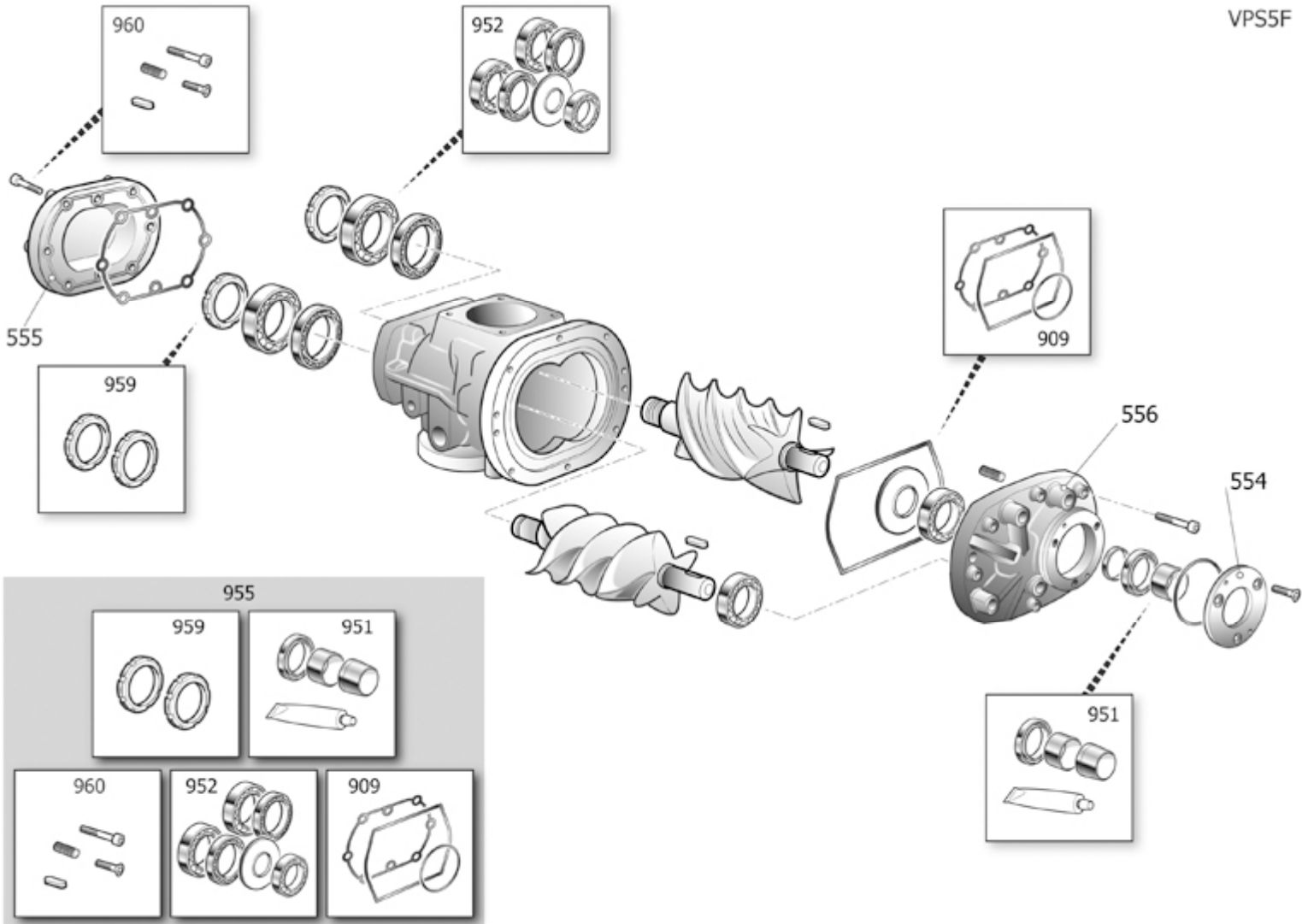
TQBR1





COMPONENTES DE ARRASTRE

Pos	Component		MU	Multiplier
126	#045111000	CORREA POLY V	PZ	1,0
135	#540P073622E3	MOTOR	PZ	1,0
165	#020194010	ANTIVIBR.D60X45 MM10X46 60SH	PZ	4,0
401	#5304000110	GRUPO TORNILLO	PZ	1,0
462	#160QE0005V44	PLACA TORNILLO-MOTOR	PZ	1,0
464	#160QB0001V44	PLACA TORNILLO	PZ	1,0
5036	#140270004	PULEGGIA 132-L8-38+BC2012	PZ	1,0
5037	#140506004	PULEGGIA 160-L8-42+BC2517	PZ	1,0



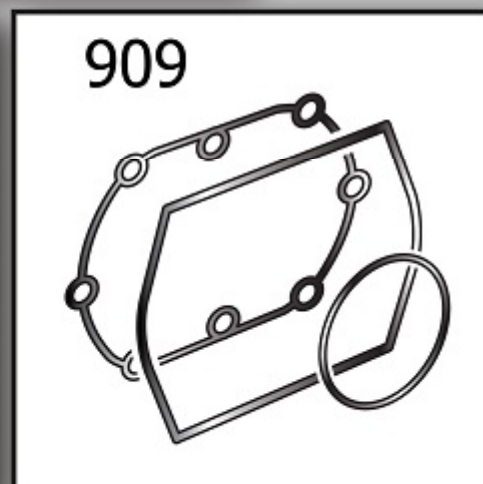
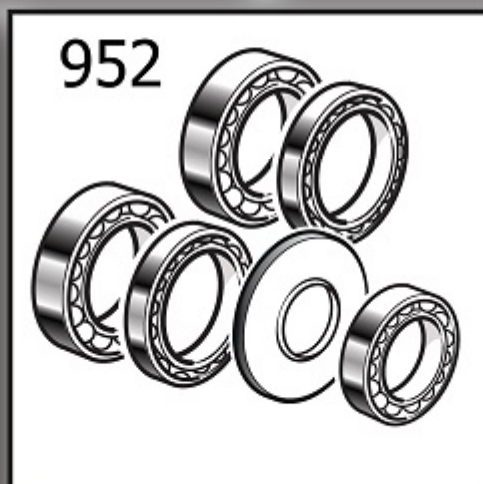
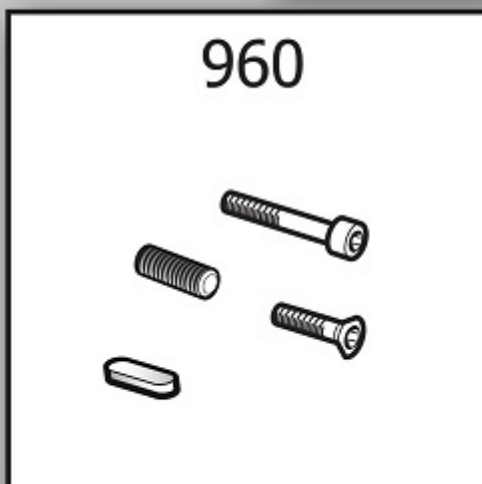
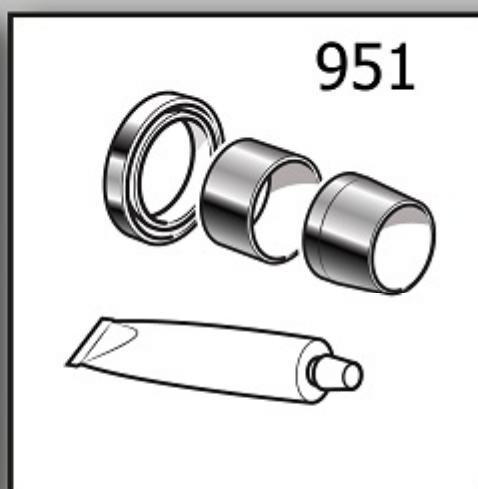


#5304000110

GRUPO TORNILLO

Pos	Component		MU	Multiplier
554	#130400013	SOPORTE ANILLO DE ESTANQUEIDAD	PZ	1,0
555	#130400003	TAPA TRASERA	PZ	1,0
556	#130400015	CAMPANA	PZ	1,0
955	#230400201	KIT REVISIONE GRUPPO VITE	PZ	1,0

955





#230400201

KIT REVISIONE GRUPPO VITE

Pos	Component		MU	Multiplier
909	#230400250	KIT GUARNIZ. FS50TF/TFC/TM/TMC	PZ	1,0
951	#230400241	KIT JUNTA ESTANCA	PZ	1,0
952	#230400230	KIT COJINETES	PZ	1,0
959	#230400210	KIT GHIERE	PZ	1,0
960	#230400220	KIT VITERIA	PZ	1,0

Pos	Component	MU	Multiplier
23	#317101000	GRUPO FILTRO AIRE	PZ 1,0
32	#012088000	INDICADOR ACEITE	PZ 1,0
92	#010082000	JUNTA TAPA	PZ 1,0
109	#330060100	MANOMETRO	PZ 1,0
127	9270046	RILSAN 4X6 NEGRO	MT 0,9
130	9049309	VALVULA DE SEGURIDAD	PZ 1,0
406	9054201	FILTRO ACEITE	PZ 1,0
408	#017101000	FILTRO AIRE 8UM D210	PZ 1,0
410	#160150010	BLOCCHETTO DISOLEATORE	PZ 1,0
413	#048534000	RADIADOR AIRE ACEITE	PZ 1,0
416	#012120000	INDICADOR DRENAJE	PZ 1,0
418	#011999008	TAPPO ESAG.M3/4" C/SFIATO+GRN	PZ 1,0
419	\$14402950	RACC.SEP ARIA-OLIO COMP VTDM46	PZ 1,0
420	#010090000	ANILLO OR 4250 VITON	PZ 1,0
420	#010158000	ANILLO OR 3156 VITON	PZ 1,0
421	#160SV0002V41	DEPOSITO SEPARADOR DE ACEITE	PZ 1,0
424	#024121000	ELECTROVENTILADOR	PZ 1,0
460	#160JL0111	CABEZA FILTRO ACEITE	PZ 1,0
463	#160QE0003V44	PROTECCION VENTILADOR	PZ 1,0
472	#048353000	FILTRO SEPARADOR	PZ 1,0
484	4101206	UNION EN T R3/8	PZ 1,0
488	#160KE0011	ABRAZADERA IMPULSION	PZ 1,0
705	#419260164SGL	GR.ASP.30DC-24V C/R (1,7) S/BP	PZ 1,0
996	9421773	KIT RUB.SCARICO DIS.1/2"	PZ 1,0
3009	#191PC0020	TUBO IMPULSION CUBE S/ESSIC.	PZ 1,0
3020	#160NM0014	TUBO FLX 1 BSP 2FD L700	PZ 1,0
3027	#160QQ0091	TUBO FLX 1/2 BSP 2FD L705	PZ 1,0
3056	#160QQ0092	TUBO FLX 1" BSP 2FD L645	PZ 1,0
4000	#011000415	RACC.ADT.MM 1/2"X3/4" BSP	PZ 1,0
4001	#011000407	RACC.ADT.90°GIR MM1/2"X3/4"+OR	PZ 1,0
4003	#011000417	RACC.ADT.MM 1/2" OR-BSP	PZ 2,0
4005	#011100002	RACC.ADT.MF 1/2" GIR	PZ 1,0
4006	#011000411	RACC.ADT.90°MM 1/2"OR-BSP	PZ 1,0
4016	#011443000	RACC.ADT.90°MM1" OR VTN-BSP	PZ 2,0
4018	#011730000	NIPLE 1+OR	PZ 1,0
4054	#011729000	RACC.ADT.MM 1"X1"1/4 OR-BSP	PZ 1,0



#419260164SGL

GR.ASP.30DC-24V C/R (1,7) S/BP



#419260164SGL

GR.ASP.30DC-24V C/R (1,7) S/BP

Pos	Component		MU	Multiplier
137	#008195020	ELECTROVALVULA	PZ	1,0
700	#199260001	BASE ASPIRAZIONE IR10/20 DC	PZ	1,0
703	#199260020	FLANGIA FLT ARIA IR30DC D50 NW	PZ	1,0
957	#260260050	KIT VALVULA DE ASPIRACION	PZ	1,0
966	#419261003	KIT MOLLA MARCIA VUOTO IR10-30	PZ	1,0



9421773

KIT RUB.SCARICO DIS.1/2"

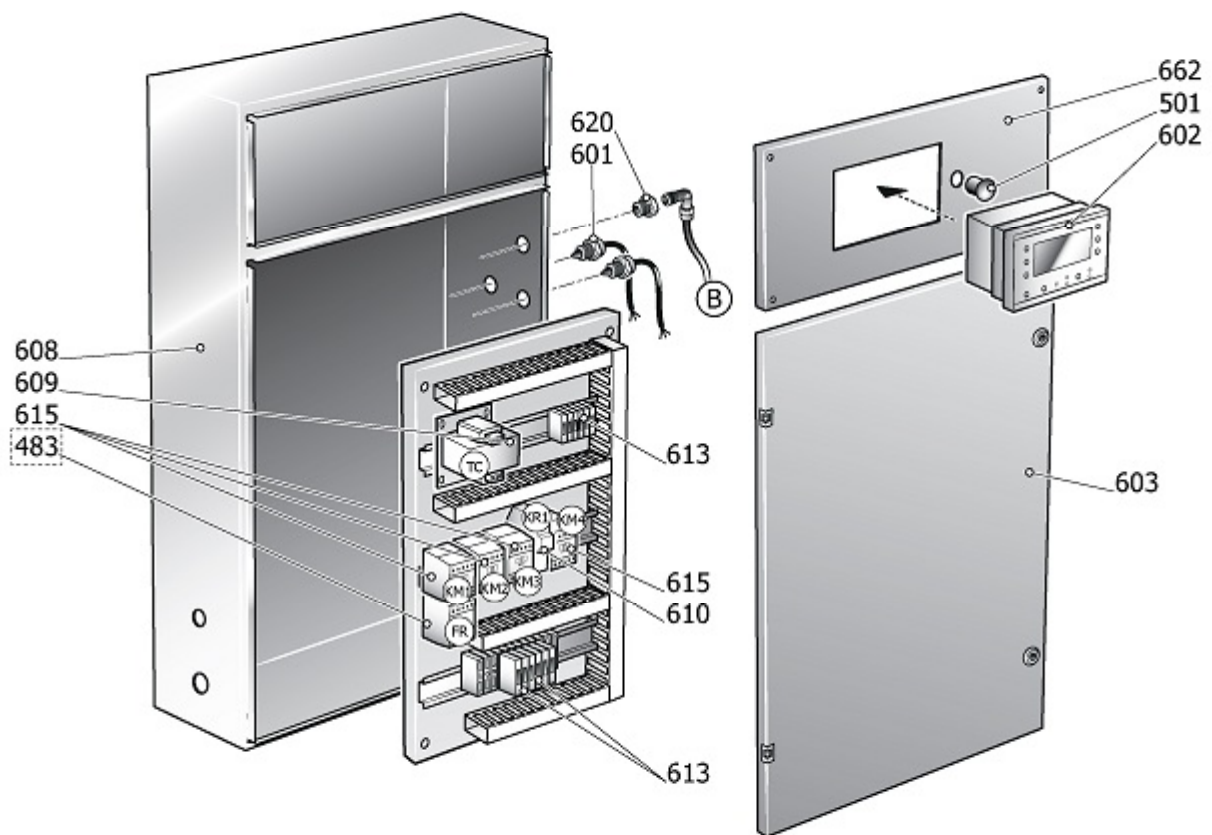


9421773

KIT RUB.SCARICO DIS.1/2"

Pos	Component		MU	Multiplier
106	#322056010	GRIFO DE LINEA	PZ	1,0
417	#012077000	TAPON ACEITE	PZ	1,0
479	4106488	NIPLE R1/2	PZ	1,0
4012	#011000409	RACC.ADT.MM 1/2" CON-BSP	PZ	1,0

EPZR1



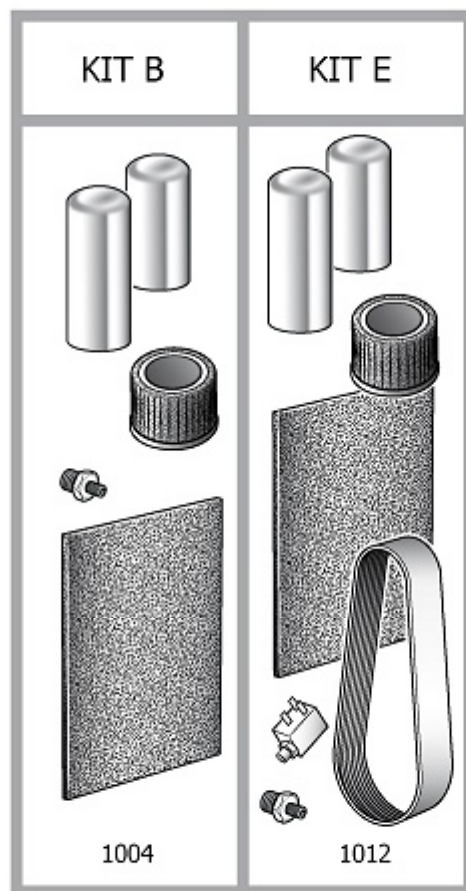


#460QA0500V44

CABINA ELECTRICA

Pos	Component	MU	Multiplier
483	#008469000	RELE TERMICO	PZ 1,0
501	EOP270KIT216	PULSANTE DE EMERGENCIA	PZ 1,0
601	#008333000	SONDA TEMPERATURA	PZ 1,0
602	#305420000SGL	CONTROLADOR ELECTRONICO	PZ 1,0
603	#260SY0074V44	PORTILLO ASIENTO ELECTRICO	PZ 1,0
608	#160SY0072V44	ASIENTO ELECTRICO	PZ 1,0
609	E0M14160324	TRANSFORMADOR	PZ 1,0
610	E0M040004	RELE SECUENCIA FASES	PZ 1,0
613	E0M11WEBGG01	FUS.10X38-1A CH10	PZ 2,0
613	E0M11WEBGG02	FUS.10X38-2A CH10	PZ 6,0
613	E0M11WEBGG06	FUS.10X38-6A CH10	PZ 2,0
615	#005634000	CNT.S0 25A 24V 3RT2026-1AC20	PZ 1,0
615	E0M013210	CNT.S00 9A 24V 3RT2016-1AB02	PZ 1,0
615	E0M013665	CNT.S0 32A 24V 3RT2027-1AC20	PZ 2,0
620	#008167010	TRANSDUCTOR	PZ 1,0
662	#260QQ0012V44	CONTROL.FRAME ETIV	PZ 1,0

LLK36





LONG LIFE KIT LIST

Pos	Component		MU	Multiplier
1004	#260KTB03E	LLK A BELT 18.5-22	PZ	1,0
1012	#260KTE09E	LLK B BELT 18.5-22.0 13B	PZ	1,0