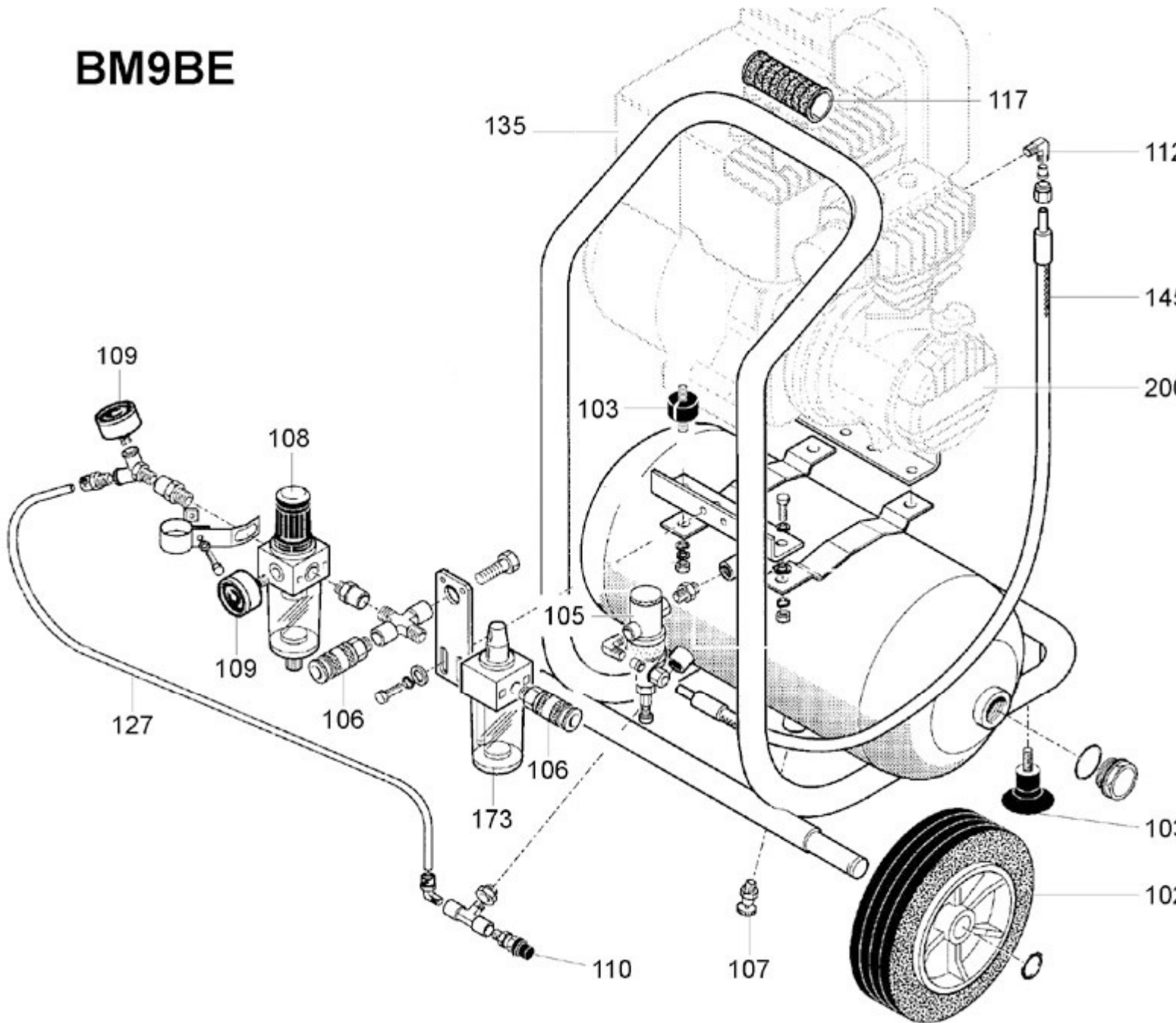
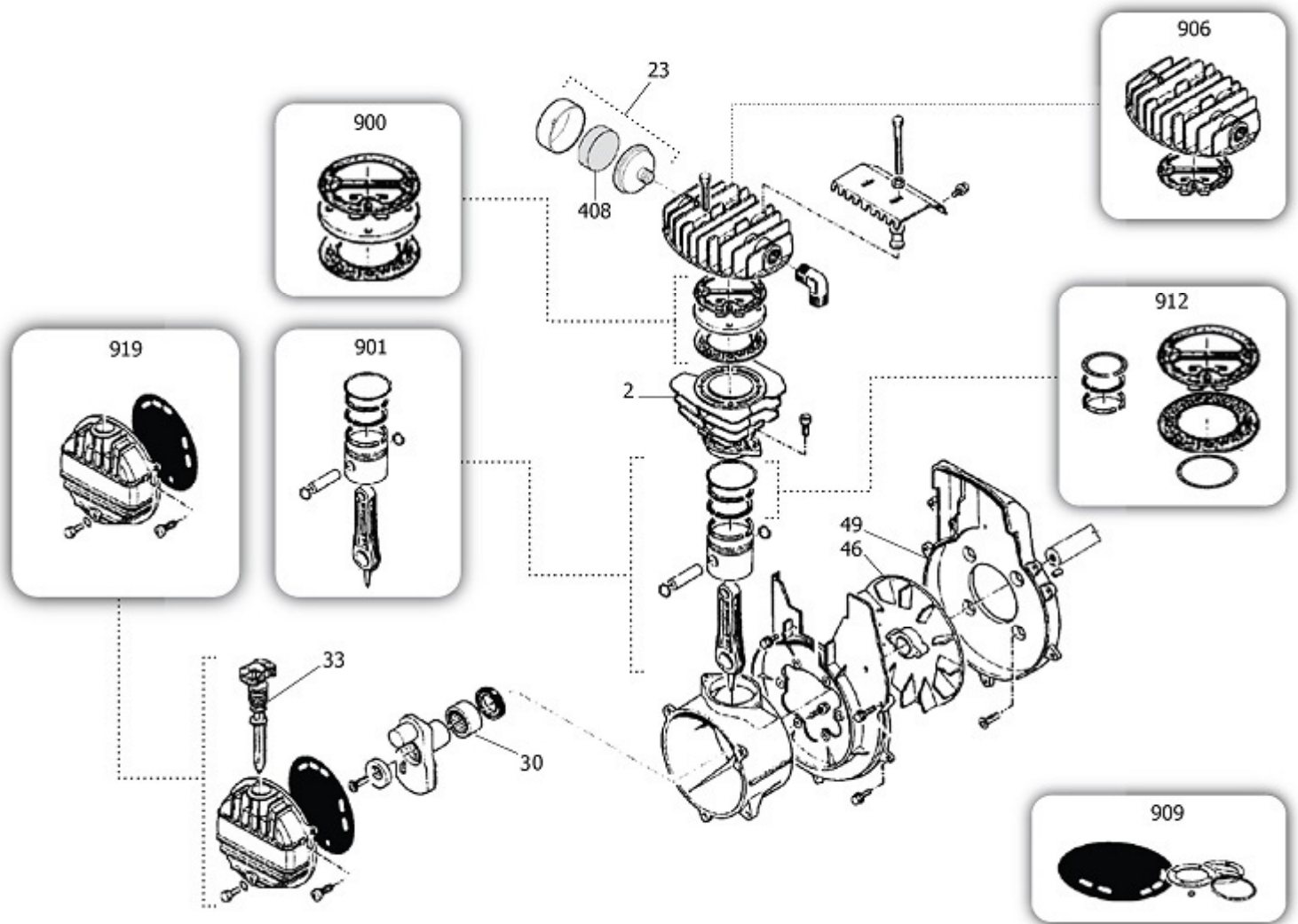


BM9BE



Pos	Component	MU	Multiplier
103	4100125	PIVOTING WHEEL/FOOT	PZ 4,0
106	4100811	GRIFO DE LINEA	PZ 2,0
107	9047079	GRIFO DESCARGA CONDENSACION	PZ 2,0
108	4100759	REDUCTOR PRESION	PZ 1,0
109	#330060000	MANOMETRO	PZ 1,0
109	9052265	MANOMETRO	PZ 1,0
110	9049315	VALVULA DE SEGURIDAD	PZ 1,0
112	9050695	NIPLE	PZ 1,0
112	9053159	NIPLE	PZ 2,0
117	9038442	EMPUÑADURA	PZ 2,0
123	4100709	UNION EN T MMF 1/4"	PZ 1,0
127	9270045	TUBO HYTREL 6X8 NERO	MT 0,3
135	#5490080000	MOTOR	PZ 1,0
155	9050736	SILENCIADOR	PZ 1,0
157	9050739	VALVULA PILOTO	PZ 1,0
164	4101290	EMPALME L MF R3/8	PZ 1,0
173	4100597	FILTRO	PZ 1,0
200	HHP0000	GRUPO CABEZAL	PZ 1,0
300	9421225	KIT RUEDAS/PIES	PZ 1,0
482	4100976	TUBO IMPULSION MK238-3S L10 CE	PZ 1,0
484	4101206	UNION EN T R3/8	PZ 1,0
486	4100958	TAPON	PZ 1,0

AM9KT





HHP0000

GRUPO CABEZAL

Pos	Component	MU	Multiplier
1	#116060011 CARTER	PZ	1,0
2	HU30001 CILINDRO	PZ	1,0
4	#116060001 ARBOL	PZ	1,0
23	4105164 GRUPO FILTRO AIRE	PZ	1,0
30	#033058000 COJINETE DE RODILLOS HK2816	PZ	1,0
33	#012035000 TAPON ACEITE	PZ	1,0
34	#010060000 JUNTA	PZ	1,0
46	#116060002 VENTILADOR	PZ	1,0
49	#116060004 CARENADO SUPERIOR	PZ	1,0
50	#116060003 CARENADO INFERIOR	PZ	1,0
135	#5490080000 MOTOR	PZ	1,0
900	9434A43 MPK PIASTRA VALVOLE MK238	PZ	1,0
901	9434B44 MPK PISTONE-BIELLA MK238	PZ	1,0
906	9434G33 MPK TESTA MK238-MK246	PZ	1,0
909	9434F41 MPK GUARNIZIONI MK238	PZ	1,0
912	9434C41 MPK SEGMENTI MK238	PZ	1,0
919	9434L10 MPK COPERCHIO CARTER MK238	PZ	1,0