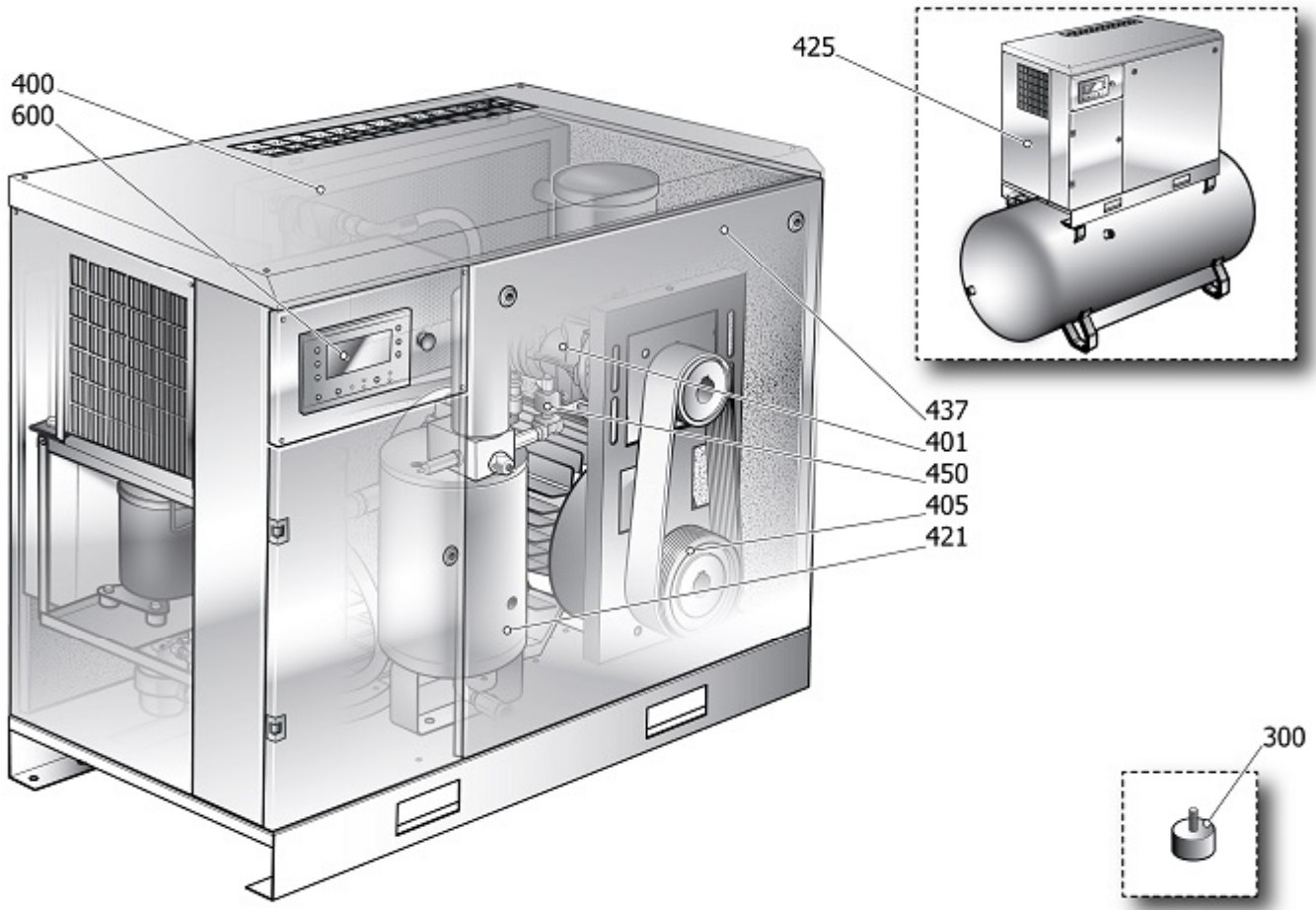


SSHR5

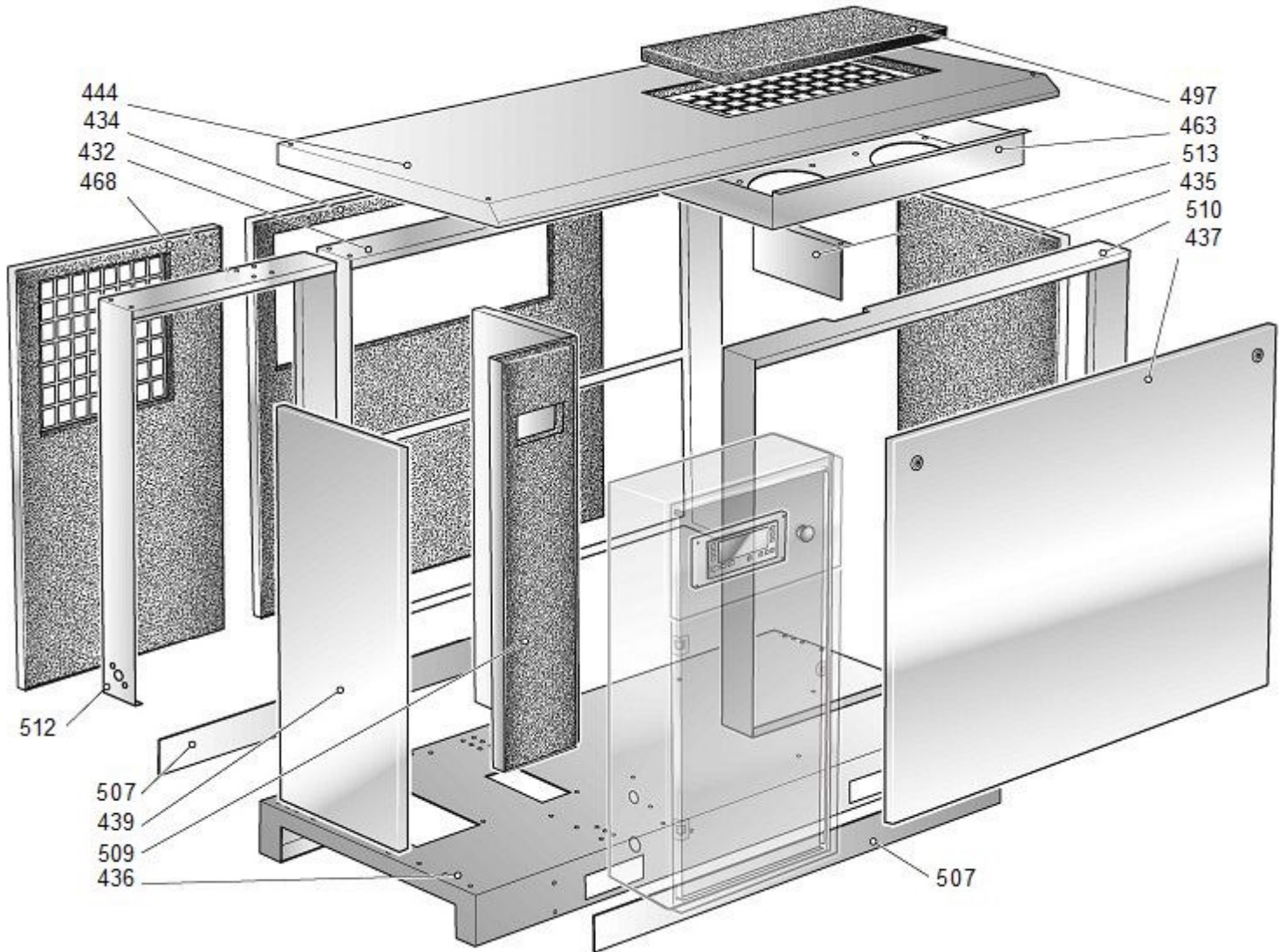




V83SV92N1N344

STAR 18.5-10-500 ES (IE3) NW

| Pos | Component | MU | Multiplier | |
|------|---------------|----------------------------|------------|-----|
| 164 | 4101290 | EMPALME L MF R3/8 | PZ | 1,0 |
| 400 | | CABINA COMPLETA | | |
| 405 | | COMPONENTES DE ARRASTRE | | |
| 425 | | TANK COMPONENT | | |
| 450 | | COMPONENTES DE COMPRESORES | | |
| 600 | #460SU0500V44 | CABINA ELECTRICA | PZ | 1,0 |
| 1000 | | LONG LIFE KIT LIST | | |

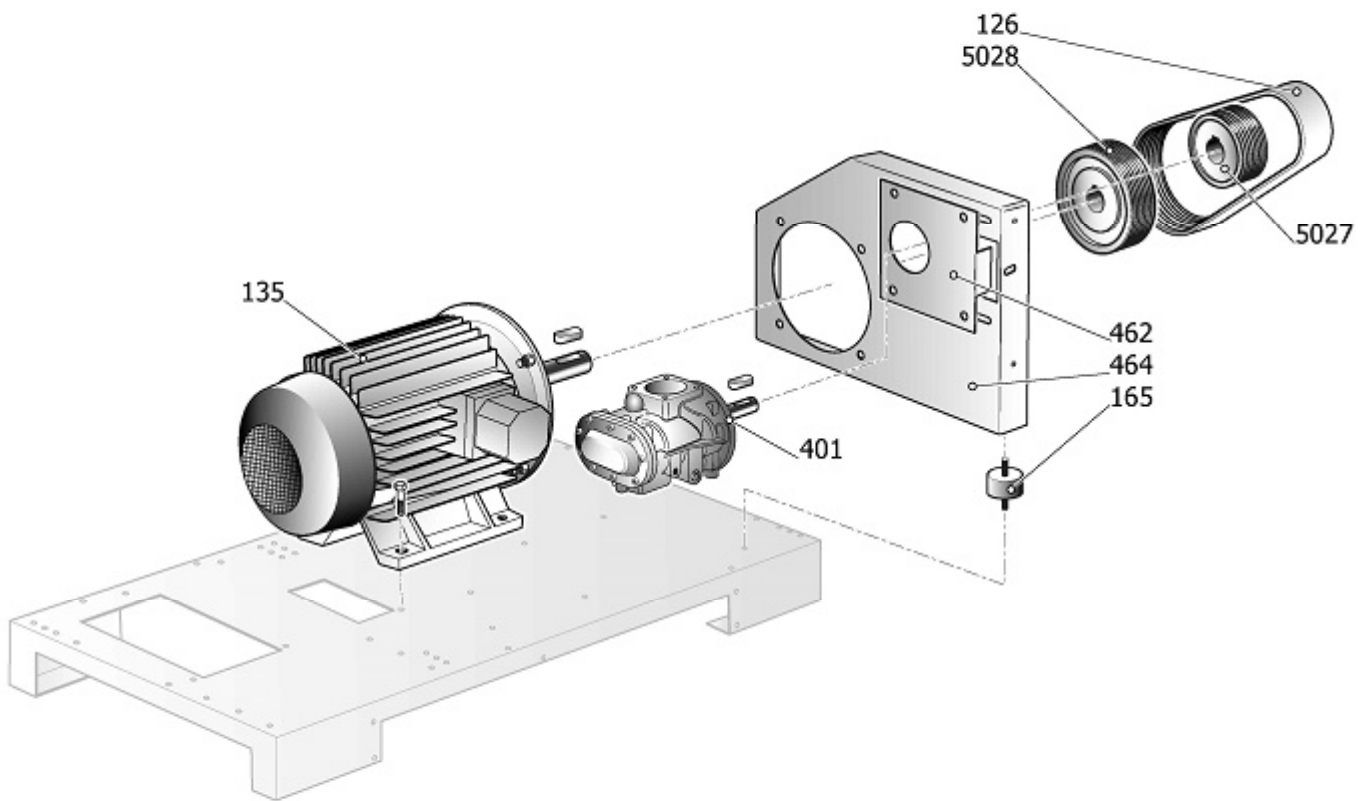




CABINA COMPLETA

| Pos | Component | MU | Multiplier |
|-----|----------------|--------------------------------|------------|
| 432 | #_260SY0001V44 | SOPORTE RADIADOR | PZ 1,0 |
| 434 | #_260SY0010V44 | PANEL TRASERO | PZ 1,0 |
| 435 | #_260SY0024V44 | PANEL TRASERO DER. | PZ 1,0 |
| 436 | #_160SY0064V44 | BASE | PZ 1,0 |
| 437 | #_260SY0061V64 | PORTILLO DELANTERO | PZ 1,0 |
| 439 | #_160SY0018V44 | PANEL TRASERO IZQ. | PZ 1,0 |
| 444 | #_260SU0001V44 | PANEL SUPERIOR | PZ 1,0 |
| 463 | #160SY0007V | PROTECCION VENTILADOR | PZ 1,0 |
| 468 | #_260SY0012V44 | DRYER PANEL | PZ 1,0 |
| 497 | #160QQ0094 | PREFILTRO | PZ 1,0 |
| 507 | #160GB0011V44 | CHAPA EMPALME | PZ 2,0 |
| 509 | #_260SY0062V44 | INS.PARATIA SEP.VISION22 7016B | PZ 1,0 |
| 510 | #_260SY0065V44 | INS.TELAIO FRON.KELVIN 22 7016 | PZ 1,0 |
| 512 | #_160SY0017V44 | TELAIO VANO ES.STAR25 7016B | PZ 1,0 |
| 513 | #_160SY0048V44 | PARATIA SEP.VENT.STAR25 7016B | PZ 1,0 |

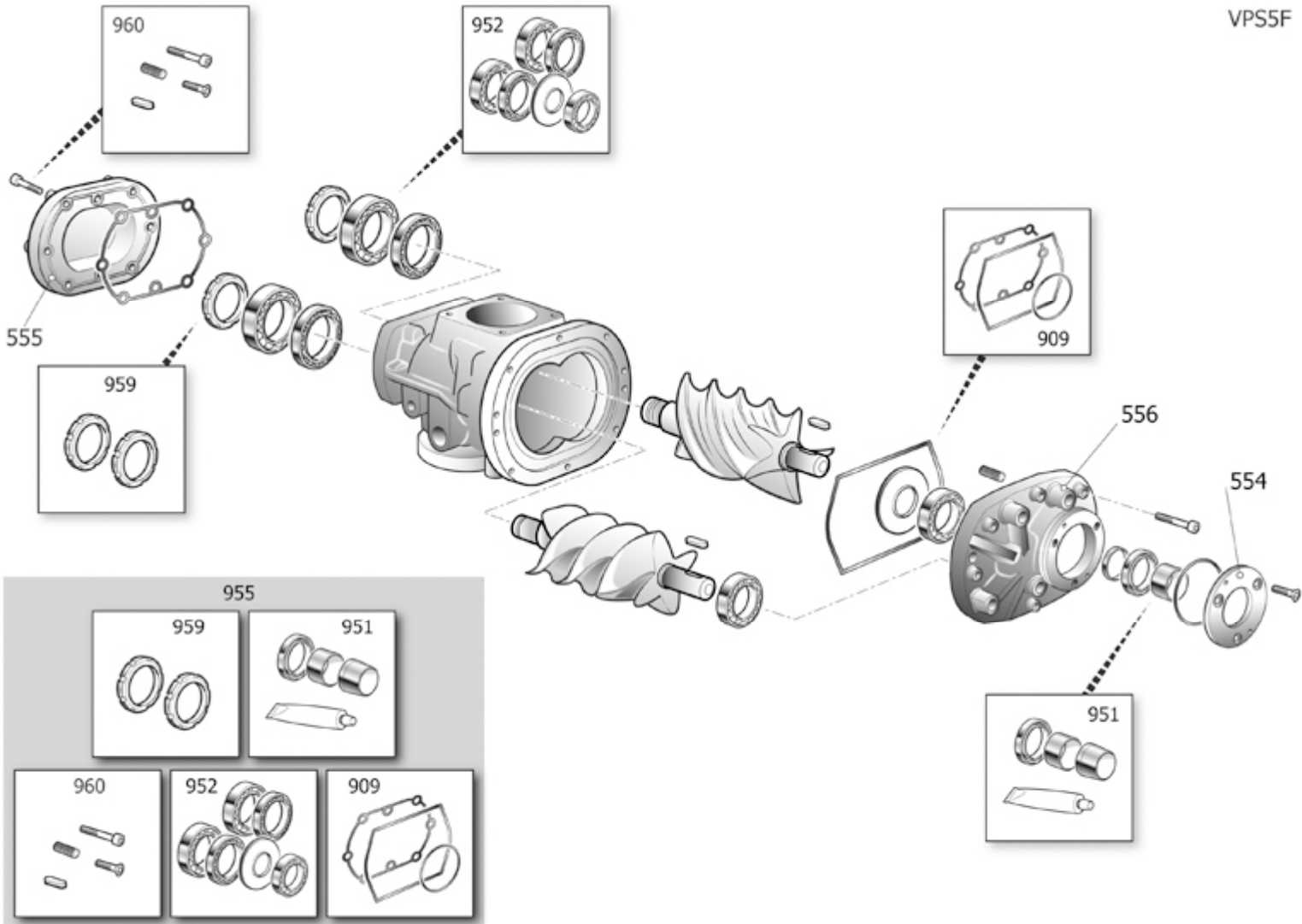
TSVR1





COMPONENTES DE ARRASTRE

| Pos | Component | MU | Multiplier |
|------|---------------|------------------------------|------------|
| 126 | #045217000 | CORREA POLY V | PZ 1,0 |
| 135 | #540P073622E3 | MOTOR | PZ 1,0 |
| 165 | #020194010 | ANTIVIBR.D60X45 MM10X46 60SH | PZ 5,0 |
| 401 | #5304000110 | GRUPO TORNILLO | PZ 1,0 |
| 462 | #160SY0026V44 | PLACA TORNILLO-MOTOR | PZ 1,0 |
| 464 | #160SY0027V44 | PLACA TORNILLO | PZ 1,0 |
| 5027 | #140439004 | PULEGGIA 180-L8-38+BC2517 | PZ 1,0 |
| 5028 | #140442004 | PULEGGIA 212-L8-42+BC2517 | PZ 1,0 |



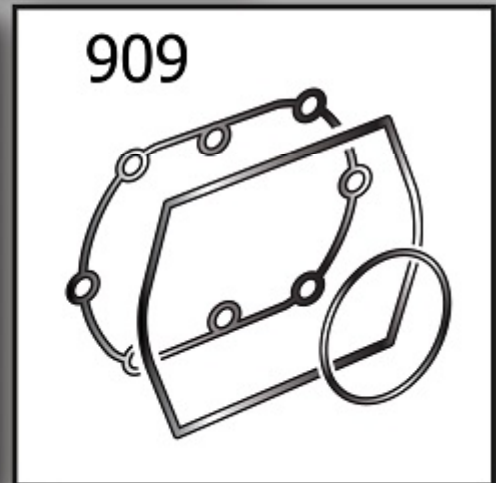
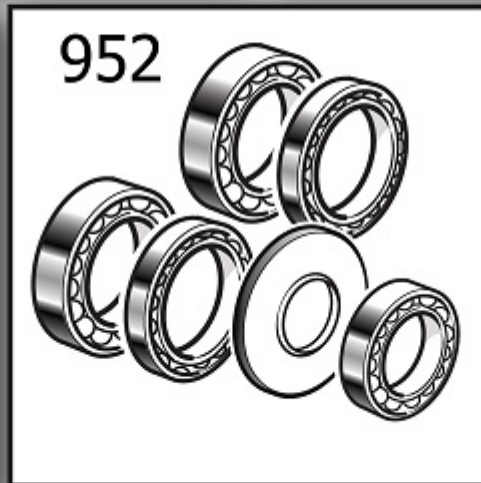
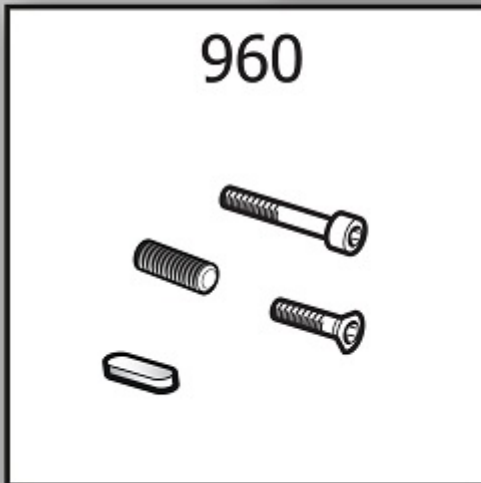
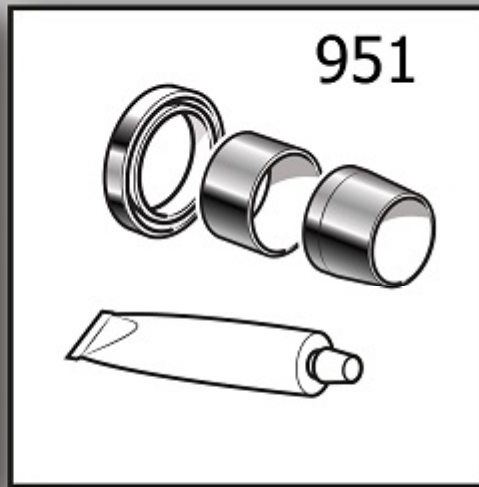
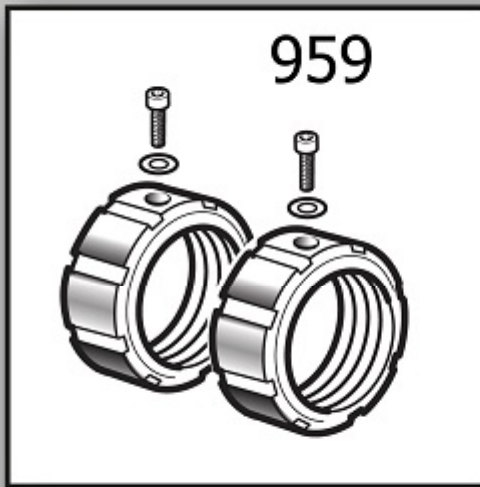


#5304000110

GRUPO TORNILLO

| Pos | Component | | MU | Multiplier |
|-----|------------|--------------------------------|----|------------|
| 554 | #130400013 | SOPORTE ANILLO DE ESTANQUEIDAD | PZ | 1,0 |
| 555 | #130400003 | TAPA TRASERA | PZ | 1,0 |
| 556 | #130400015 | CAMPANA | PZ | 1,0 |
| 955 | #230400201 | KIT REVISIONE GRUPPO VITE | PZ | 1,0 |

955



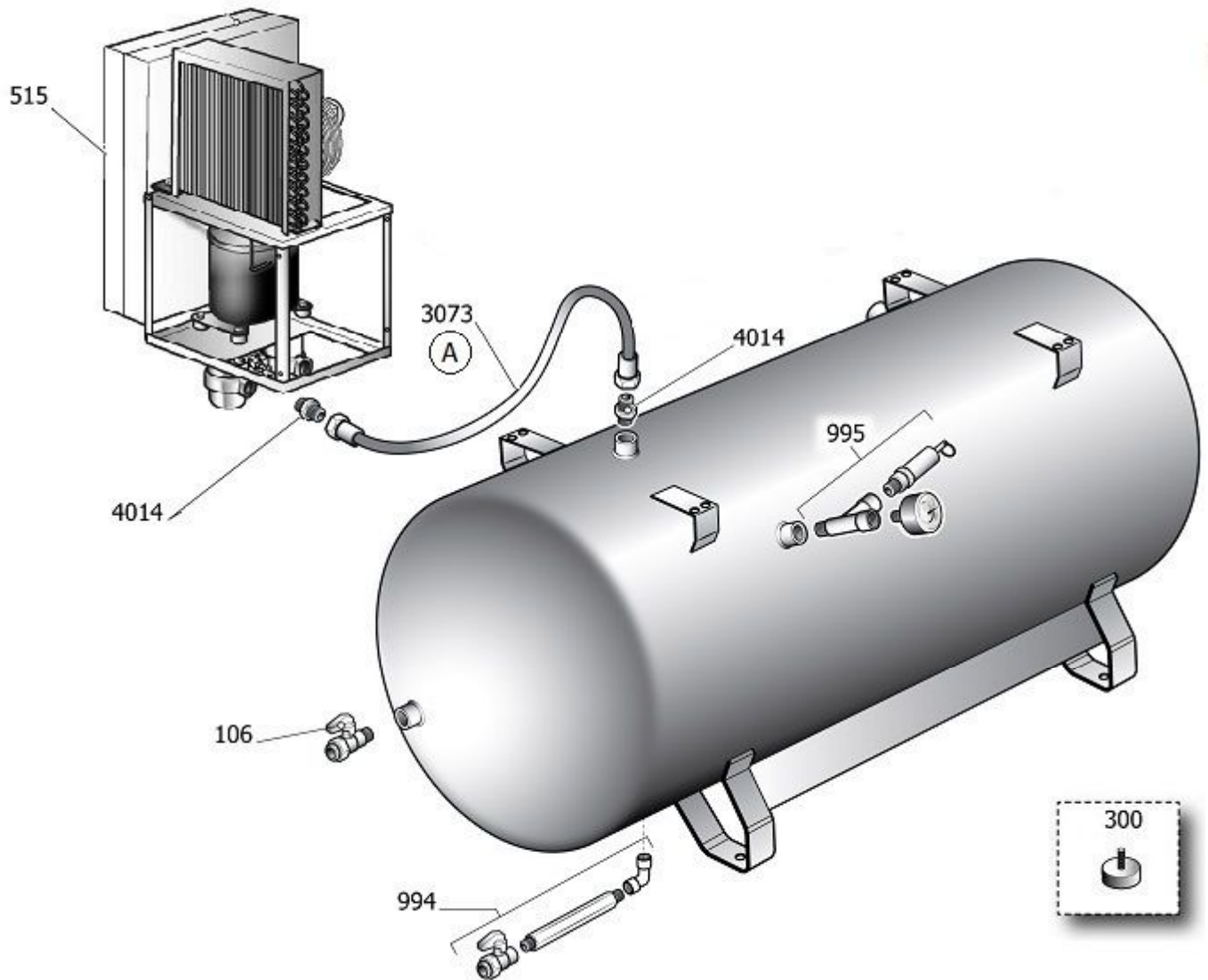


#230400201

KIT REVISIONE GRUPPO VITE

| Pos | Component | | MU | Multiplier |
|-----|------------|--------------------------------|----|------------|
| 909 | #230400250 | KIT GUARNIZ. FS50TF/TFC/TM/TMC | PZ | 1,0 |
| 951 | #230400241 | KIT JUNTA ESTANCA | PZ | 1,0 |
| 952 | #230400230 | KIT COJINETES | PZ | 1,0 |
| 959 | #230400210 | KIT GHIERE | PZ | 1,0 |
| 960 | #230400220 | KIT VITERIA | PZ | 1,0 |

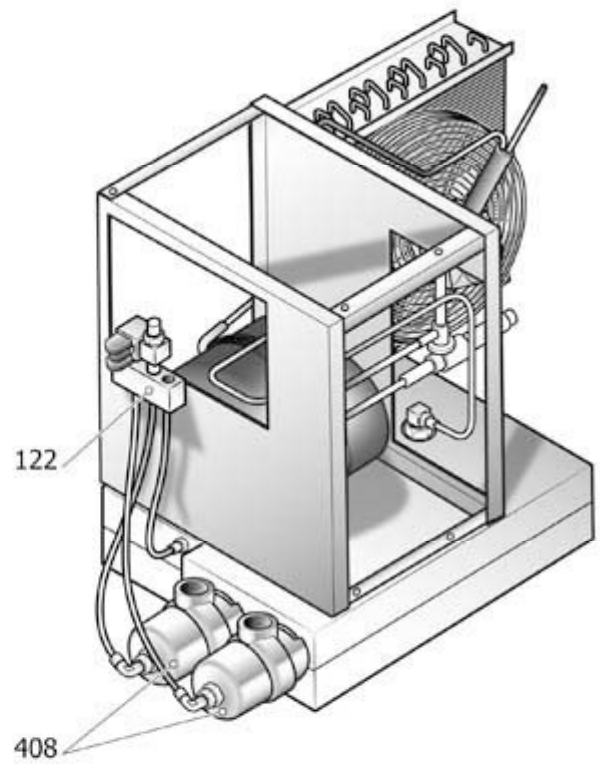
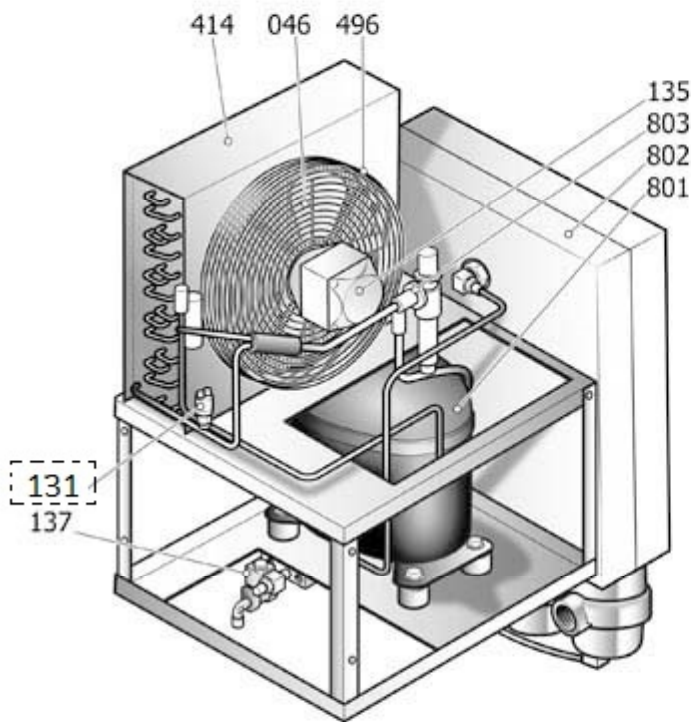
LSRR5





TANK COMPONENT

| Pos | Component | | MU | Multiplier |
|------|------------|-------------------------------|----|------------|
| 106 | #322031000 | GRIFO DE LINEA | PZ | 1,0 |
| 300 | 41K0174 | KIT RUEDAS/PIES | PZ | 1,0 |
| 515 | #048516100 | SECANTE | PZ | 1,0 |
| 994 | 9421512 | KIT DESCARGA CONDENSACION | PZ | 1,0 |
| 995 | 9421786 | KIT MN+VS 11B S_500 STAR-VEGA | PZ | 1,0 |
| 3073 | #160SY0035 | TUBO FLX 3/4 BSP FD+F45 L550 | PZ | 1,0 |
| 4014 | #011000416 | RACC.ADT.MM 3/4" OR-BSP | PZ | 2,0 |

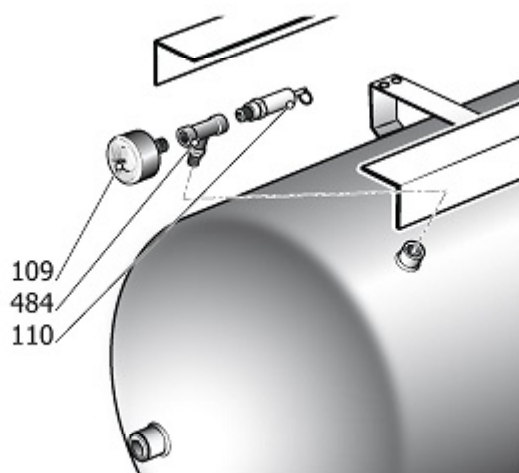




#048516100

SECANTE

| Pos | Component | MU | Multiplier |
|-----|------------|------------------------------|------------|
| 46 | #048520007 | VENTILADOR | PZ 1,0 |
| 122 | #048519017 | VALVULA UNIDIRECCIONAL | PZ 1,0 |
| 131 | #048516014 | PRESOSTATO COMPLETO | PZ 1,0 |
| 135 | #048900000 | MOTOR | PZ 1,0 |
| 137 | #048516001 | ELECTROVALVULA | PZ 1,0 |
| 408 | #048516009 | CARTUCCIA PFC ES STAR DRY 30 | PZ 1,0 |
| 414 | #048516018 | RADIADOR AIRE | PZ 1,0 |
| 496 | #048516017 | REJILLA VENTILADOR | PZ 1,0 |
| 601 | #048519015 | SONDA TEMPERATURA | PZ 1,0 |
| 801 | #048516016 | COMPRESOR PARA SECANTE | PZ 1,0 |
| 802 | #048516006 | ALU-DRY MODULE | PZ 1,0 |
| 803 | #048516007 | VALVULA PILOTO | PZ 1,0 |





9421786

KIT MN+VS 11B S_500 STAR-VEGA

| Pos | Component | | MU | Multiplier |
|-----|------------|----------------------|----|------------|
| 109 | #330060100 | MANOMETRO | PZ | 1,0 |
| 110 | 9049307 | VALVULA DE SEGURIDAD | PZ | 1,0 |
| 484 | 4101206 | UNION EN T R3/8 | PZ | 1,0 |

| Pos | Component | MU | Multiplier |
|------|---------------|--------------------------------|------------|
| 23 | #317101000 | GRUPO FILTRO AIRE | PZ 1,0 |
| 32 | #012088000 | INDICADOR ACEITE | PZ 1,0 |
| 92 | #010082000 | JUNTA TAPA | PZ 1,0 |
| 109 | #330060100 | MANOMETRO | PZ 1,0 |
| 127 | 9270019 | TUBO RILSAN 4X6 PTFE NEUTRO | MT 0,1 |
| 130 | 9049309 | VALVULA DE SEGURIDAD | PZ 1,0 |
| 404 | #347150000SGL | VALVULA PRESION MINIMA | PZ 1,0 |
| 406 | 9054201 | FILTRO ACEITE | PZ 1,0 |
| 408 | #017101000 | FILTRO AIRE 8UM D210 | PZ 1,0 |
| 413 | #048523000 | RADIADOR AIRE ACEITE | PZ 1,0 |
| 416 | #012120000 | INDICADOR DRENAJE | PZ 1,0 |
| 416 | #212120000 | INDICADOR DRENAJE | PZ 1,0 |
| 418 | #011999008 | TAPPO ESAG.M3/4" C/SFIATO+GRN | PZ 1,0 |
| 419 | \$14402950 | RACC.SEP ARIA-OLIO COMP VTDM46 | PZ 1,0 |
| 420 | #010054000 | ANILLO OR 4187 VITON | PZ 1,0 |
| 420 | #010090000 | ANILLO OR 4250 VITON | PZ 1,0 |
| 421 | #160SV0002V41 | DEPOSITO SEPARADOR DE ACEITE | PZ 1,0 |
| 424 | #024118015 | ELECTROVENTILADOR | PZ 2,0 |
| 460 | #160JL0111 | CABEZA FILTRO ACEITE | PZ 1,0 |
| 472 | #048353000 | FILTRO SEPARADOR | PZ 1,0 |
| 484 | 4101206 | UNION EN T R3/8 | PZ 1,0 |
| 488 | #160ED0073 | ABRAZADERA IMPULSION | PZ 1,0 |
| 511 | #160PU0118V44 | STAFFA SUP.VENT.RAD.D280 7016B | PZ 2,0 |
| 705 | #419260164SGL | GR.ASP.30DC-24V C/R (1,7) S/BP | PZ 1,0 |
| 996 | 9421785 | KIT RUB.SCARICO DIS.1/2" | PZ 1,0 |
| 3013 | #151JO0019 | TUBO FLX 1/2 BSP 2FD L780 | PZ 1,0 |
| 3072 | #160SY0030 | TUBO FLX 1" BSP FD+F90 L598 | PZ 2,0 |
| 3074 | #160SY0032 | TUBO FLX 1" BSP FD+F90 L1030 | PZ 1,0 |
| 3075 | #160SY0033 | TUBO FLX 1/2 BSP FD+F90 L470 | PZ 1,0 |
| 4000 | #011000415 | RACC.ADT.MM 1/2"X3/4" BSP | PZ 2,0 |
| 4001 | #011000407 | RACC.ADT.90°GIR MM1/2"X3/4"+OR | PZ 1,0 |
| 4003 | #011000417 | RACC.ADT.MM 1/2" OR-BSP | PZ 1,0 |
| 4005 | #011100002 | RACC.ADT.MF 1/2" GIR | PZ 1,0 |
| 4006 | #011000411 | RACC.ADT.90°MM 1/2"OR-BSP | PZ 1,0 |
| 4018 | #011730000 | NIPLE 1+OR | PZ 3,0 |
| 4054 | #011729000 | RACC.ADT.MM 1"X1"1/4 OR-BSP | PZ 2,0 |
| 4055 | #011000405 | RACC.ADT.MM 1"X3/4" BSP | PZ 1,0 |



#419260164SGL

GR.ASP.30DC-24V C/R (1,7) S/BP



#419260164SGL

GR.ASP.30DC-24V C/R (1,7) S/BP

| Pos | Component | | MU | Multiplier |
|-----|------------|--------------------------------|----|------------|
| 137 | #008195120 | ELECTROVALVULA | PZ | 1,0 |
| 700 | #199260001 | BASE ASPIRAZIONE IR10/20 DC | PZ | 1,0 |
| 703 | #199260020 | FLANGIA FLT ARIA IR30DC D50 NW | PZ | 1,0 |
| 957 | #260260050 | KIT VALVULA DE ASPIRACION | PZ | 1,0 |



9421785

KIT RUB.SCARICO DIS.1/2"

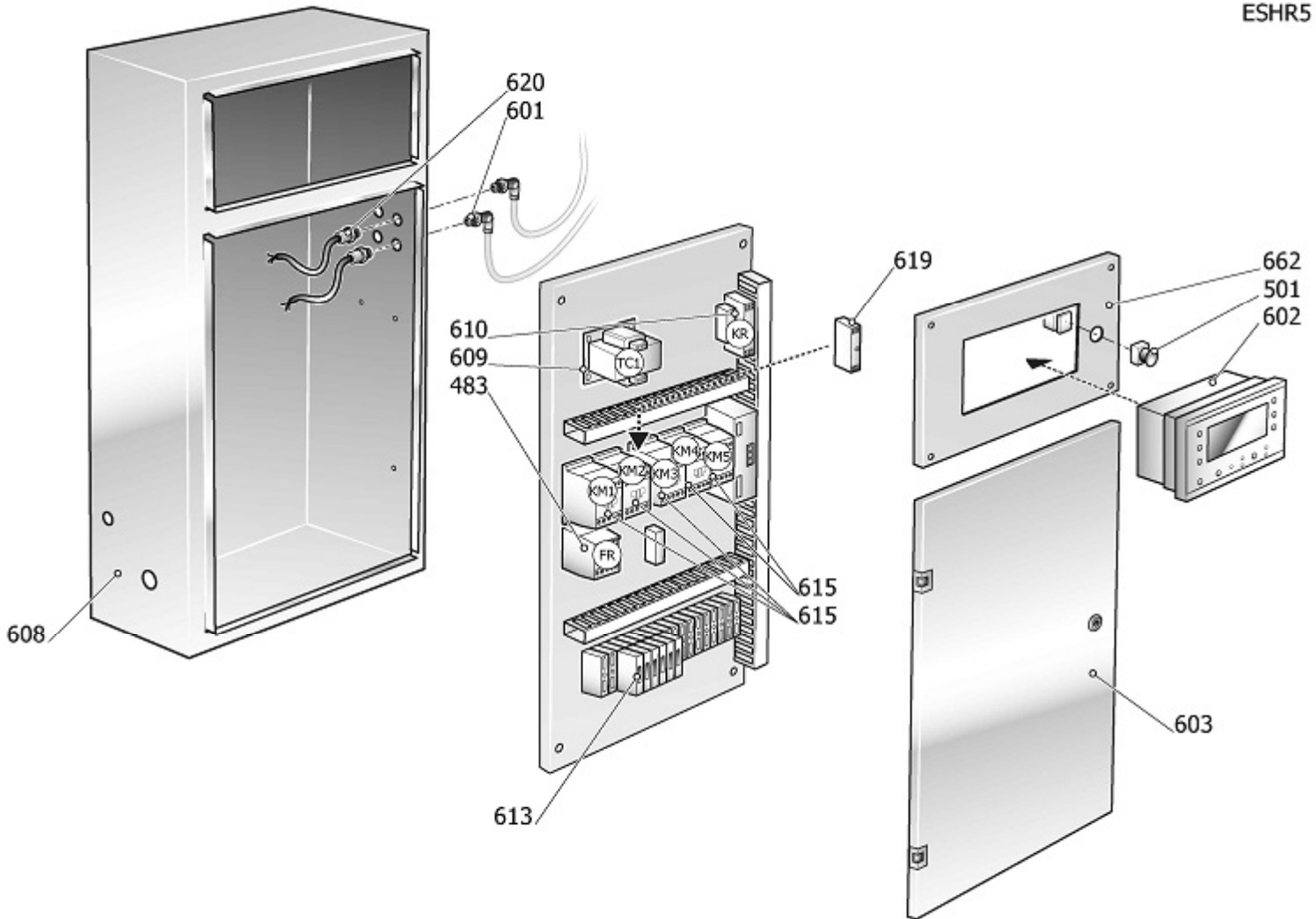


9421785

KIT RUB.SCARICO DIS.1/2"

| Pos | Component | MU | Multiplier |
|------|-------------------------------------|----|------------|
| 4012 | #011000409 RACC.ADT.MM 1/2" CNC-BSP | PZ | 1,0 |

ESHR5



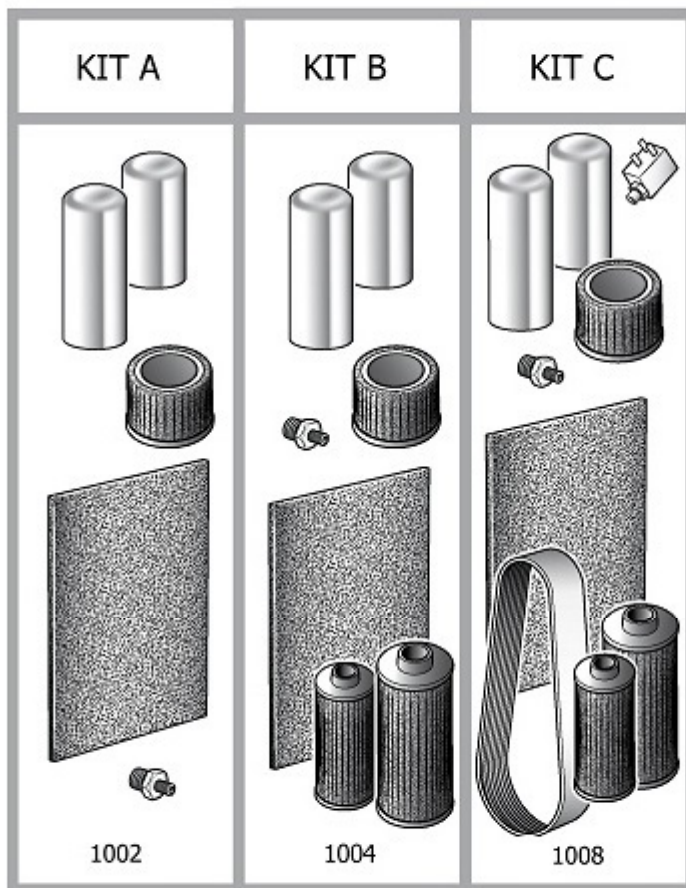


#460SU0500V44

CABINA ELECTRICA

| Pos | Component | MU | Multiplier |
|-----|---------------|------------------------------|------------|
| 483 | #008469000 | RELE TERMICO | PZ 1,0 |
| 501 | EOP270KIT216 | PULSANTE DE EMERGENCIA | PZ 1,0 |
| 601 | #008333000 | SONDA TEMPERATURA | PZ 1,0 |
| 602 | #305420000SGL | CONTROLADOR ELECTRONICO | PZ 1,0 |
| 603 | #260SY0074V44 | PORTILLO ASIENTO ELECTRICO | PZ 1,0 |
| 608 | #160SY0072V44 | ASIENTO ELECTRICO | PZ 1,0 |
| 609 | E0M14160324 | TRANSFORMADOR | PZ 1,0 |
| 610 | E0M040004 | RELE SECUENCIA FASES | PZ 1,0 |
| 613 | E0M11WEBGG01 | FUS.1A GG 10X38 CH10 | PZ 2,0 |
| 613 | E0M11WEBGG02 | FUS.10X38-2A CH10 | PZ 6,0 |
| 613 | E0M11WEBGG04 | FUS.10X38-4A CH10 | PZ 2,0 |
| 615 | E0M013210 | CNT.S00 9A 24V 3RT2016-1AB02 | PZ 2,0 |
| 615 | E0M013663 | CNT.S0 25A 24V 3RT2026-1AC20 | PZ 2,0 |
| 615 | E0M013664 | CNT.S0 17A 24V 3RT2025-1AC20 | PZ 1,0 |
| 620 | #008167010 | TRANSDUCTOR | PZ 1,0 |
| 662 | #260QQ0012V44 | CONTROL.FRAME ETIV | PZ 1,0 |

LLK69





LONG LIFE KIT LIST

| Pos | Component | | MU | Multiplier |
|------------|------------------|--------------------------|-----------|-------------------|
| 1004 | #260KTB09E | LLK A BELT 22 VS | PZ | 1,0 |
| 1004 | #260KTB60E | LLK B VKV 22 ES DV | PZ | 1,0 |
| 1008 | #260KTE60E | LLK C VKV 22-08/10 VS ES | PZ | 1,0 |



#008333000

SONDA TEMPERATURA



#008333000

SONDA TEMPERATURA

Pos Component

MU

Multiplier
