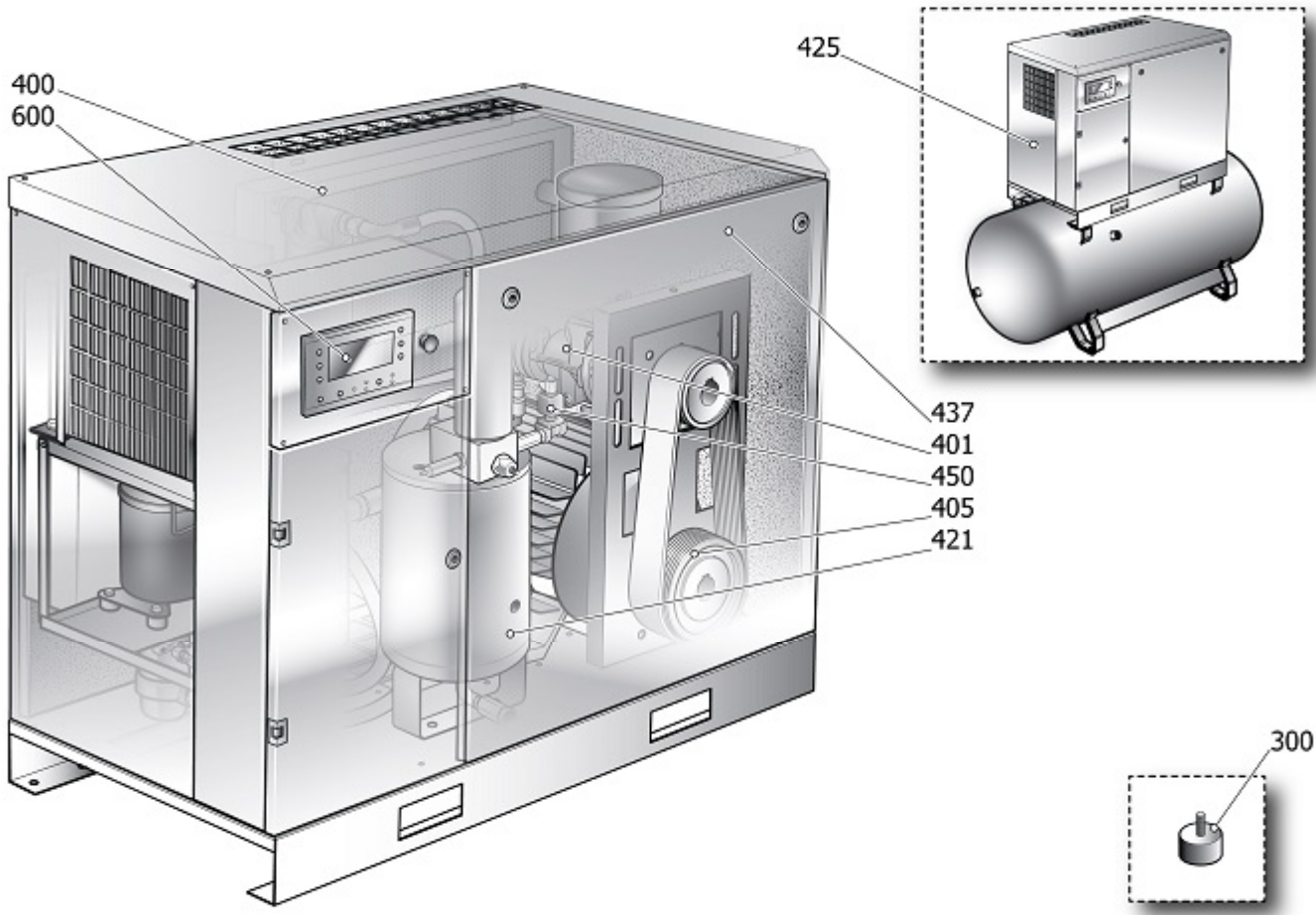


SSHR5



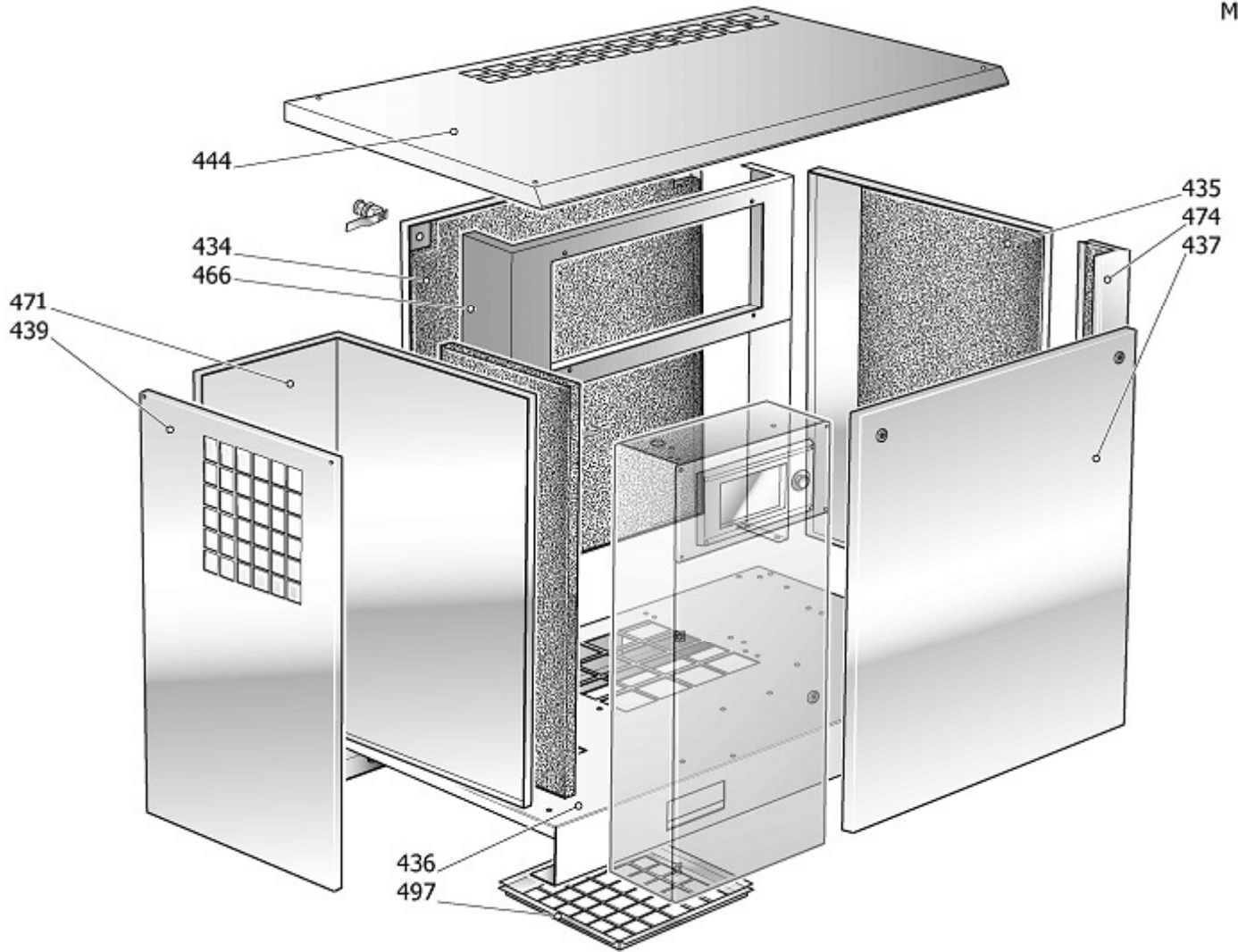


V83SP92N1N344

STAR 11-10-500 ES (IE3) NW

Pos	Component	MU	Multiplier
164	4101290		
400			
405			
425			
450			
600	#460SP0500V44	PZ	1,0
1000			

MSNR1





CABINA COMPLETA

Pos	Component	MU	Multiplier
434	#_260SP0036V44	PANEL TRASERO	PZ 1,0
435	#_260SP0007V44	PANEL TRASERO DER.	PZ 1,0
436	#_160SP0027V44	BASE	PZ 1,0
437	#_260SP0040V64	PORTILLO DELANTERO	PZ 1,0
439	#_260SP0093V44	PANEL TRASERO IZQ.	PZ 1,0
444	#_260SP0091V44	PANEL SUPERIOR	PZ 1,0
466	#_160SP0003V44	PANEL CENTRAL	PZ 1,0
471	#_260SP0092V44	INS.VANO ES.VISON 11VS 7016B	PZ 1,0
474	#_260SP0004V44	MONTANTE DELANTERO DERECHO	PZ 1,0
497	#_160SP0030V44	PREFILTRO	PZ 1,0

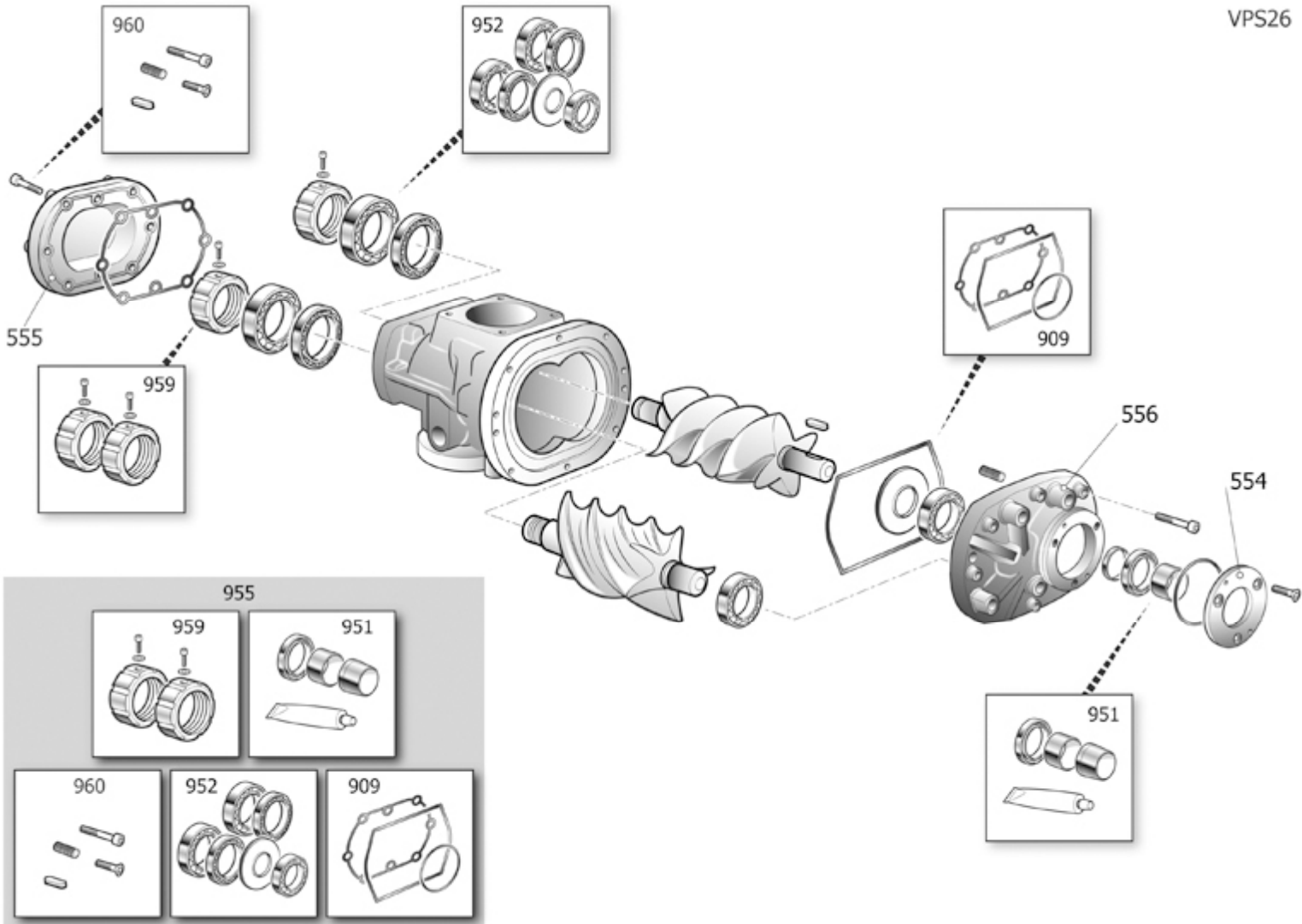


COMPONENTES DE ARRASTRE



COMPONENTES DE ARRASTRE

Pos	Component	MU	Multiplier
126	#045122000	CORREA POLY V	PZ 1,0
135	#540M073622E3	MOTOR	PZ 1,0
165	#020198000	ANTIVIBRADORES TIPO A 50/40 M1	PZ 4,0
401	#5303000110	GRUPO TORNILLO	PZ 1,0
462	#160SG0002V17	PLACA TORNILLO-MOTOR	PZ 1,0
464	#160NM0011V17	PLACA TORNILLO	PZ 1,0
5018	#140259004	POLEA 90-L6-28	PZ 1,0
5021	#140356004	PULEGGIA 132-L6-38+BC2012	PZ 1,0



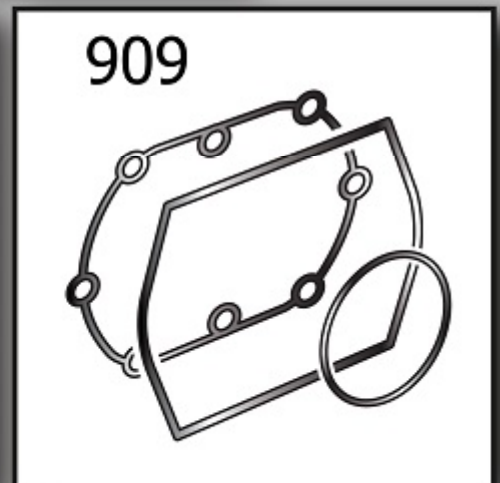
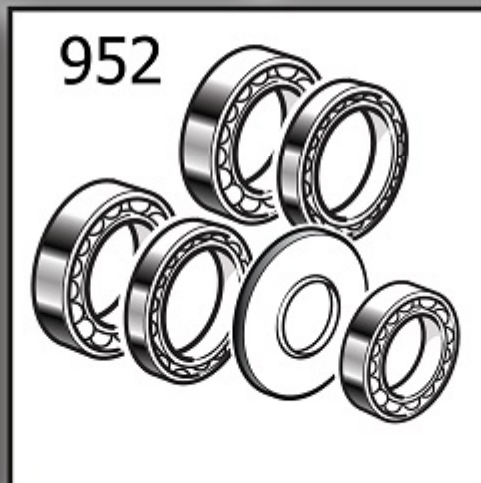
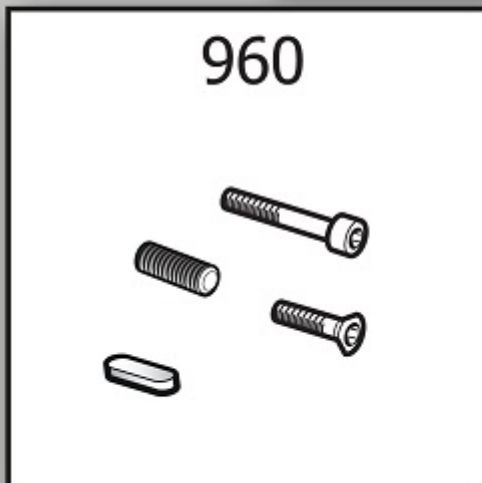
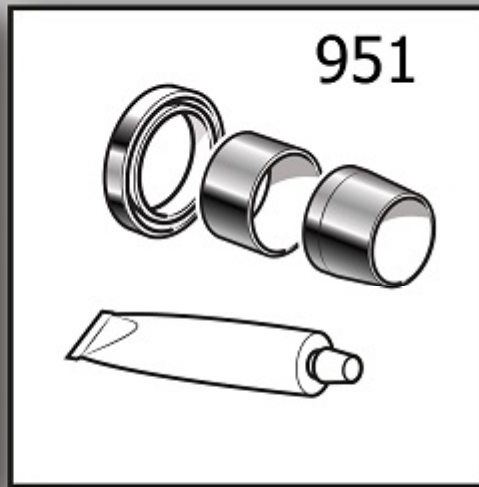
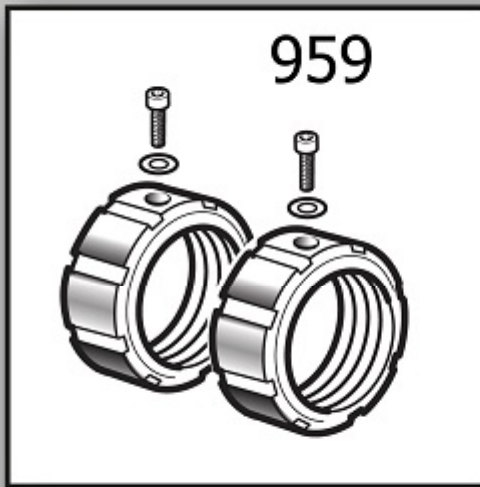


#5303000110

GRUPO TORNILLO

Pos	Component		MU	Multiplier
554	#130300013	SOPORTE ANILLO DE ESTANQUEIDAD	PZ	1,0
555	#030300003	TAPA TRASERA	PZ	1,0
556	#130300077	CAMPANA	PZ	1,0
955	#230300200	KIT REVISIONE GRUPPO VITE	PZ	1,0

955



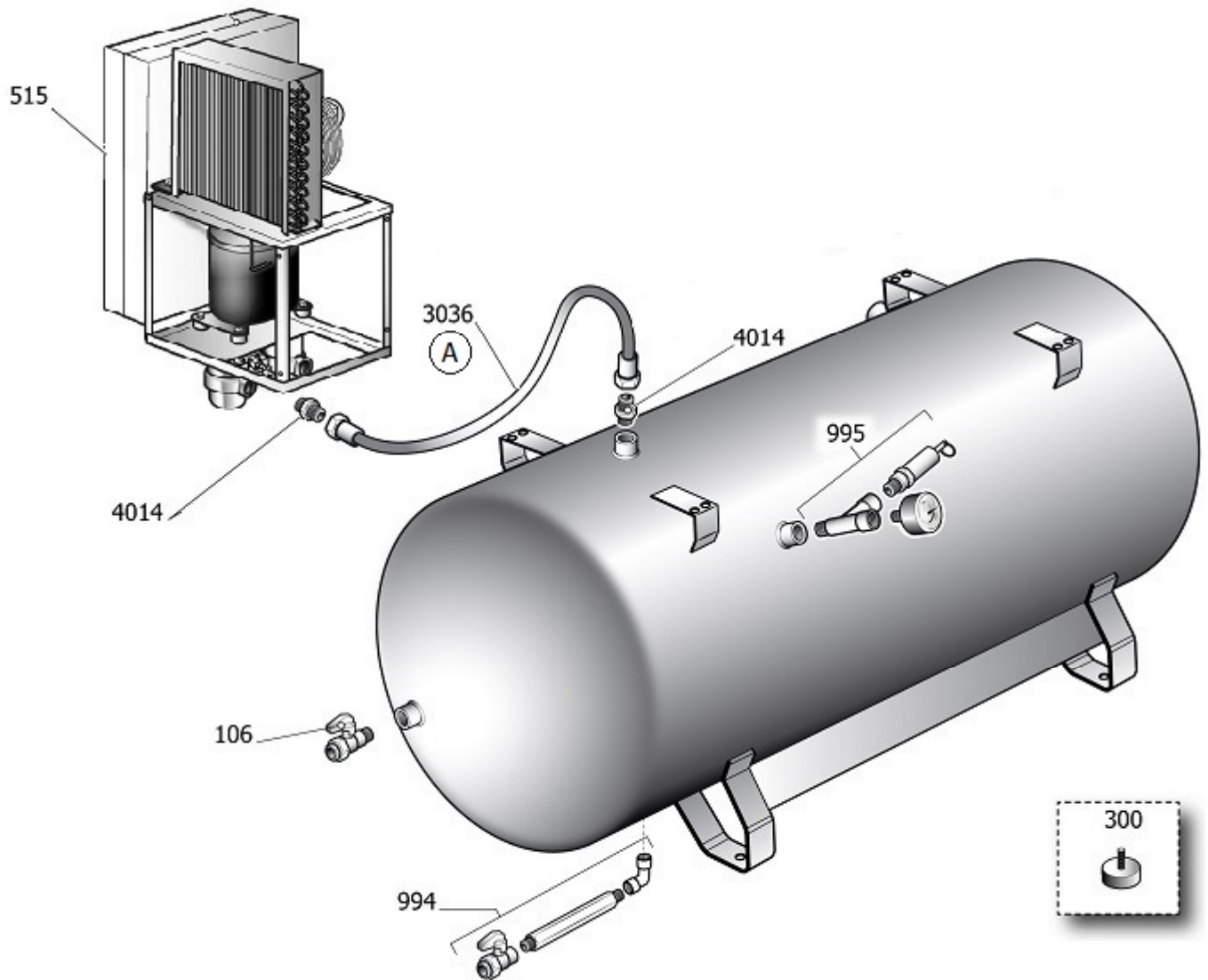


#230300200

KIT REVISIONE GRUPPO VITE

Pos	Component		MU	Multiplier
909	#230300250	KIT GUARNIZ. FS26TF/TFC/TM/TMC	PZ	1,0
951	#230300240	KIT JUNTA ESTANCA	PZ	1,0
952	#230300230	KIT COJINETES	PZ	1,0
959	#230300210	KIT GHIERE	PZ	1,0
960	#230300220	KIT VITERIA	PZ	1,0

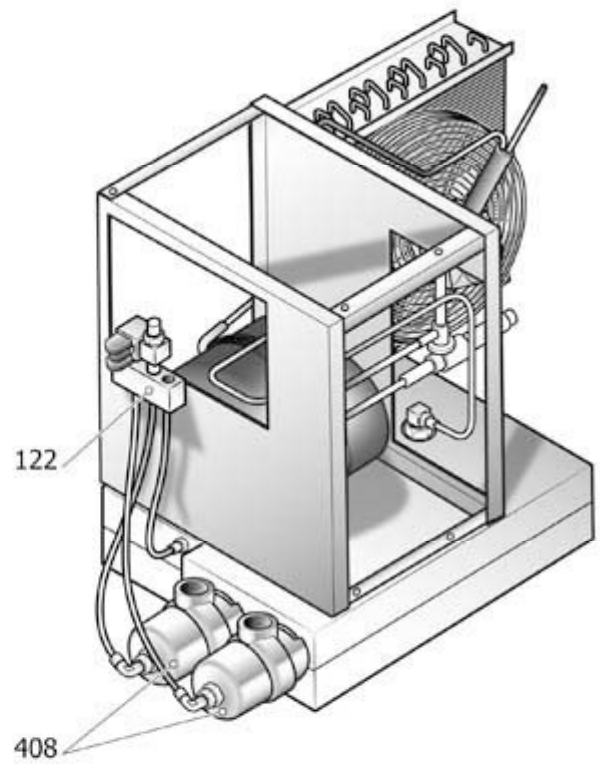
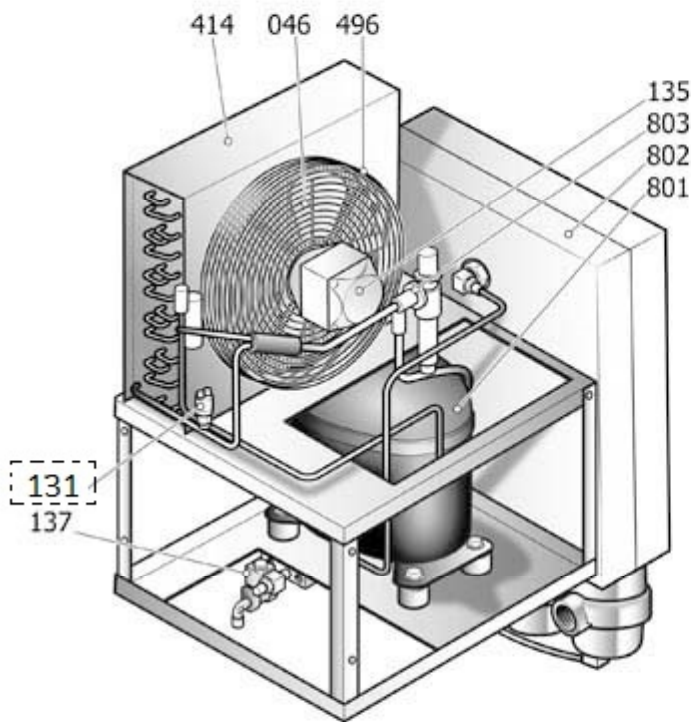
LSRR3





TANK COMPONENT

Pos	Component		MU	Multiplier
106	#322031000	GRIFO DE LINEA	PZ	1,0
300	41K0174	KIT RUEDAS/PIES	PZ	1,0
515	#048520000	SECANTE	PZ	1,0
994	9421512	KIT DESCARGA CONDENSACION	PZ	1,0
995	9421739	KIT MN+VS 11B S_500-S_270 PLUS	PZ	1,0
3036	#160SP0024	TUBO FLX 3/4 BSP 2FD L440	PZ	1,0
4014	#011000416	RACC.ADT.MM 3/4" OR-BSP	PZ	2,0



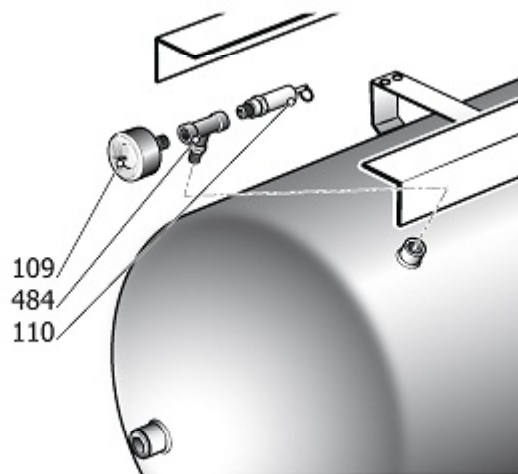


#048520000

SECANTE

Pos	Component	MU	Multiplier
46	#048520007	VENTILADOR	PZ 1,0
122	#048519017	VALVULA UNIDIRECCIONAL	PZ 1,0
135	#048520003	MOTOR	PZ 1,0
137	#048516001	ELECTROVALVULA	PZ 1,0
408	9058083	CARTUCCIA PER FILTRO PFC 34	PZ 1,0
414	#048520002	RADIADOR AIRE	PZ 1,0
496	#048520004	REJILLA VENTILADOR	PZ 1,0
601	#048519015	SONDA TEMPERATURA	PZ 1,0
801	#048520016	COMPRESOR PARA SECANTE	PZ 1,0
802	#048520006	ALU-DRY MODULE	PZ 1,0
803	#048519007	VALVULA PILOTO	PZ 1,0

KMVSP



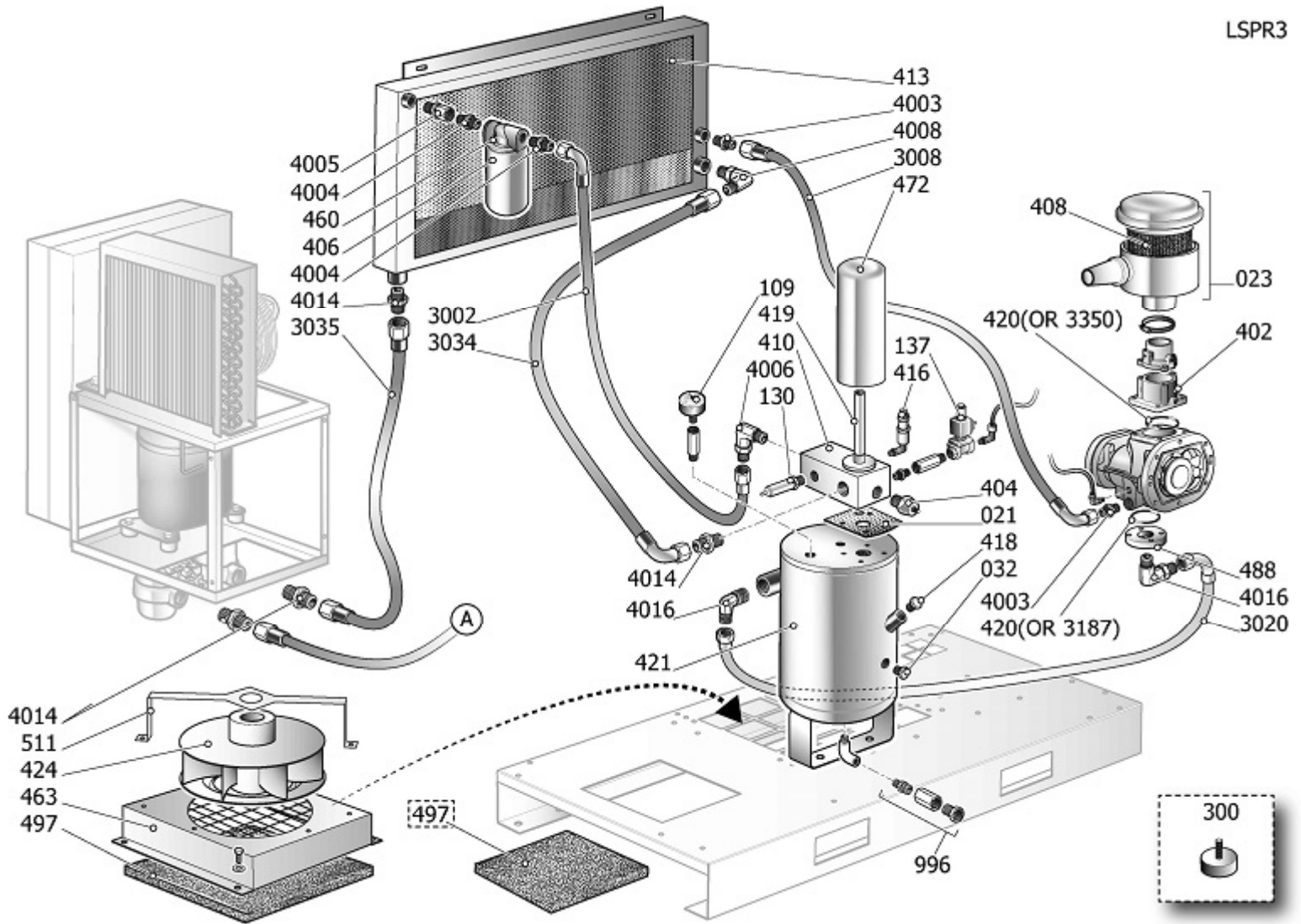


9421739

KIT MN+VS 11B S_500-S_270 PLUS

Pos	Component		MU	Multiplier
109	9052802	MANOMETRO	PZ	1,0
110	9049307	VALVULA DE SEGURIDAD	PZ	1,0
484	4101206	UNION EN T R3/8	PZ	1,0

LSPR3



Pos	Component	MU	Multiplier
21	#151JO0021	JUNTA SEPARADOR DE ACEITE	PZ 1,0
23	#317090000	GRUPO FILTRO AIRE	PZ 1,0
32	9411267	INDICADOR ACEITE	PZ 1,0
109	#330060100	MANOMETRO	PZ 1,0
130	9049309	VALVULA DE SEGURIDAD	PZ 1,0
137	#008195120	ELECTROVALVULA	PZ 1,0
402	#419260110	REGULADOR ASPIRACION	PZ 1,0
404	#347111000SGL	VALVULA PRESION MINIMA	PZ 1,0
406	9054201	FILTRO ACEITE	PZ 1,0
408	#017093000	FILTRO AIRE 8UM D101	PZ 1,0
410	#460SP0035	BLOCCHETTO DISOLEATORE	PZ 1,0
413	#048522000	RADIADOR AIRE ACEITE	PZ 1,0
416	#012120000	INDICADOR DRENAJE	PZ 1,0
416	#212120000	INDICADOR DRENAJE	PZ 1,0
418	#011999008	TAPPO ESAG.M3/4" C/SFIATO+GRN	PZ 1,0
419	#011376000	NIPLE SEPARADOR R.KSC	PZ 1,0
420	\$30502700	ANELLO OR 3187 VITON	PZ 1,0
420	#010123000	ANILLO OR 2093 VITON	PZ 1,0
420	#010124000	ANILLO OR 2087 VITON	PZ 1,0
421	#160NM0037V41	DEPOSITO SEPARADOR DE ACEITE	PZ 1,0
424	#024118015	ELECTROVENTILADOR	PZ 1,0
460	#160JL0111	CABEZA FILTRO ACEITE	PZ 1,0
463	#160SN0001V44	PROTECCION VENTILADOR	PZ 1,0
472	#048287000	FILTRO SEPARADOR	PZ 1,0
488	#160NM0012	ABRAZADERA IMPULSION	PZ 1,0
497	#160SP0019	PREFILTRO	PZ 1,0
511	#160PU0118V44	STAFFA SUP.VENT.RAD.D280 7016B	PZ 1,0
705	#419260110SGL	GR.ASP.30DC PLS 11-16 C/BP (1)	PZ 1,0
996	9421785	KIT RUB.SCARICO DIS.1/2"	PZ 1,0
3002	#191LX0010	TUBO FLEX 1/2" BSP FD+F90 L440	PZ 1,0
3008	#151PO0032	TUBO FLX 1/2 BSP FD+F90 L320	PZ 1,0
3020	#160NM0014	TUBO FLX 1 BSP 2FD L700	PZ 1,0
3034	#160SP0022	TUBO FLX 3/4 BSP FD+F90 L800	PZ 1,0
3035	#160SP0023	TUBO FLX 3/4 BSP 2FD L760	PZ 1,0
4003	#011000417	RACC.ADT.MM 1/2" OR-BSP	PZ 2,0
4004	#011000418	RACC.ADT.MM 1/2" BSP	PZ 2,0
4005	#011100002	RACC.ADT.MF 1/2" GIR	PZ 1,0
4006	#011000411	RACC.ADT.90°MM 1/2"OR-BSP	PZ 1,0
4008	#011000410	RACC.ADT.90°MM 3/4"OR-BSP	PZ 1,0
4014	#011000416	RACC.ADT.MM 3/4" OR-BSP	PZ 3,0
4016	#011443000	RACC.ADT.90°MM1" OR VTN-BSP	PZ 2,0



#419260110

REGULADOR ASPIRACION



#419260110

REGULADOR ASPIRACION

Pos	Component		MU	Multiplier
420	#010093000	ANILLO OR 3350 VITON	PZ	1,0
957	#260260050	KIT VALVULA DE ASPIRACION	PZ	1,0
966	#419261003	KIT MOLLA MARCIA VUOTO IR10-30	PZ	1,0



#419260110SGL

GR.ASP.30DC PLS 11-16 C/BP (1)



#419260110SGL

GR.ASP.30DC PLS 11-16 C/BP (1)

Pos	Component		MU	Multiplier
420	#010093000	ANILLO OR 3350 VITON	PZ	1,0
703	#199260020	FLANGIA FLT ARIA IR30DC D50 NW	PZ	1,0
957	#260260050	KIT VALVULA DE ASPIRACION	PZ	1,0



9421785

KIT RUB.SCARICO DIS.1/2"

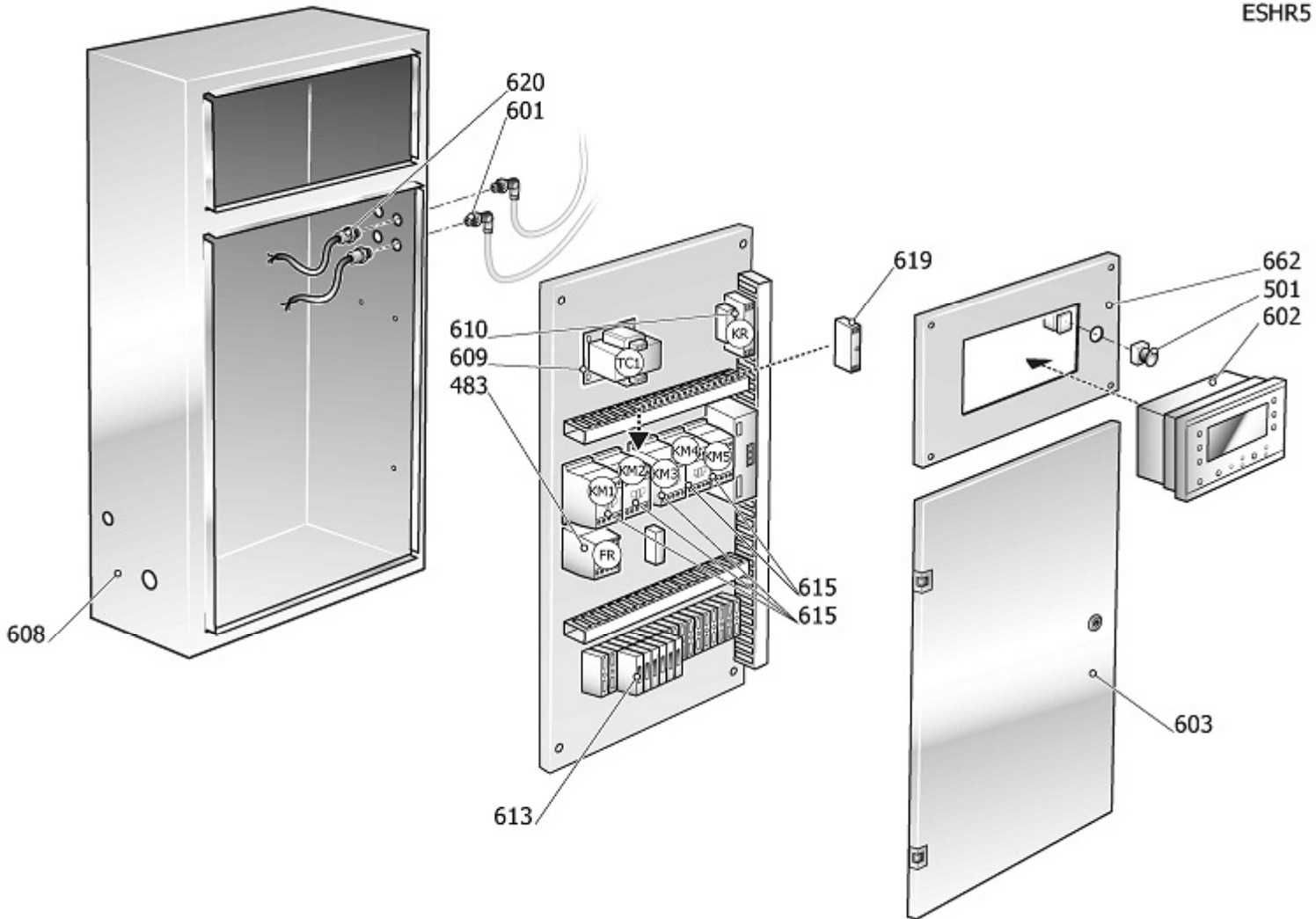


9421785

KIT RUB.SCARICO DIS.1/2"

Pos	Component	MU	Multiplier
4012	#011000409 RACC.ADT.MM 1/2" CNC-BSP	PZ	1,0

ESHR5



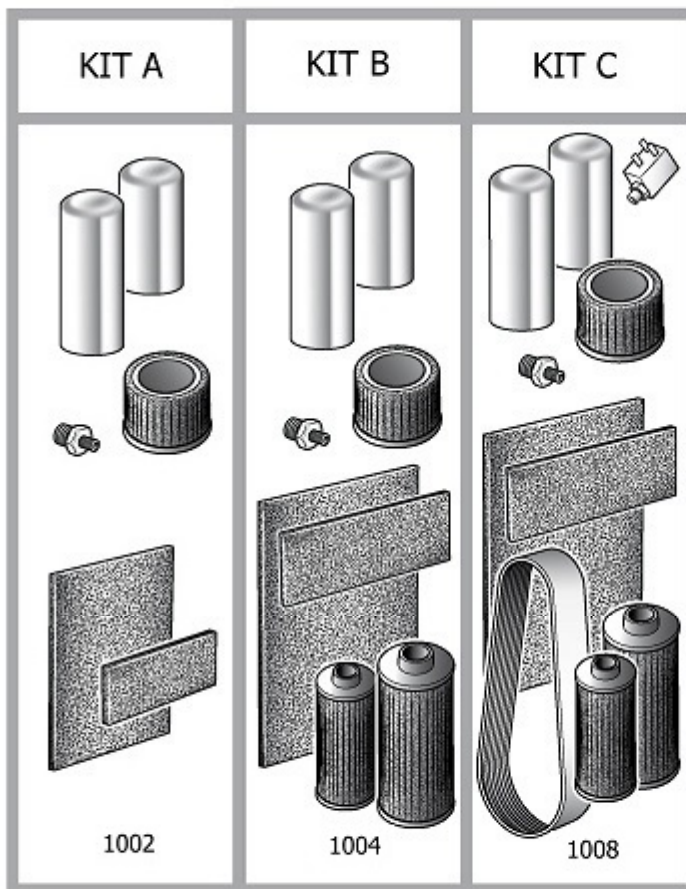


#460SP0500V44

CABINA ELECTRICA

Pos	Component	MU	Multiplier
483	E0M023129	RELE TERMICO	PZ 1,0
501	EOP270KIT216	PULSANTE DE EMERGENCIA	PZ 1,0
601	#008333000	SONDA TEMPERATURA	PZ 1,0
602	#305420000SGL	CONTROLADOR ELECTRONICO	PZ 1,0
603	#160SP0098V44	PORTILLO ASIENTO ELECTRICO	PZ 1,0
608	#160SP0097V44	ASIENTO ELECTRICO	PZ 1,0
609	E0M14100324	TRANSFORMADOR	PZ 1,0
610	E0M040004	RELE SECUENCIA FASES	PZ 1,0
613	E0M11WEBGG01	FUS.1A GG 10X38 CH10	PZ 2,0
613	E0M11WEBGG02	FUS.10X38-2A CH10	PZ 6,0
613	E0M11WEBGG04	FUS.10X38-4A CH10	PZ 2,0
615	E0M013210	CNT.S00 9A 24V 3RT2016-1AB02	PZ 2,0
615	E0M013660	CNT.S00 16A 24V 3RT2018-1AB02	PZ 3,0
620	#008167010	TRANSDUCTOR	PZ 1,0
662	#160SP0043V44	CONTROL.FRAME ETIV	PZ 1,0
665	#020081000	BISAGRA 1110-U3 EMKA	PZ 2,0

LLK47





LONG LIFE KIT LIST

Pos	Component		MU	Multiplier
1002	#260KTB54E	LLK A VKV 11-15 8-10-13B	PZ	1,0
1004	#260KTB42E	LLK B VKV 11-15 ES	PZ	1,0
1008	#260KTE75E	LLK C VKV ES 11 10/13B 15 13B	PZ	1,0



#008333000

SONDA TEMPERATURA



#008333000

SONDA TEMPERATURA

Pos Component

MU

Multiplier



#020081000

BISAGRA 1110-U3 EMKA



#020081000

BISAGRA 1110-U3 EMKA

Pos Component

MU

Multiplier
