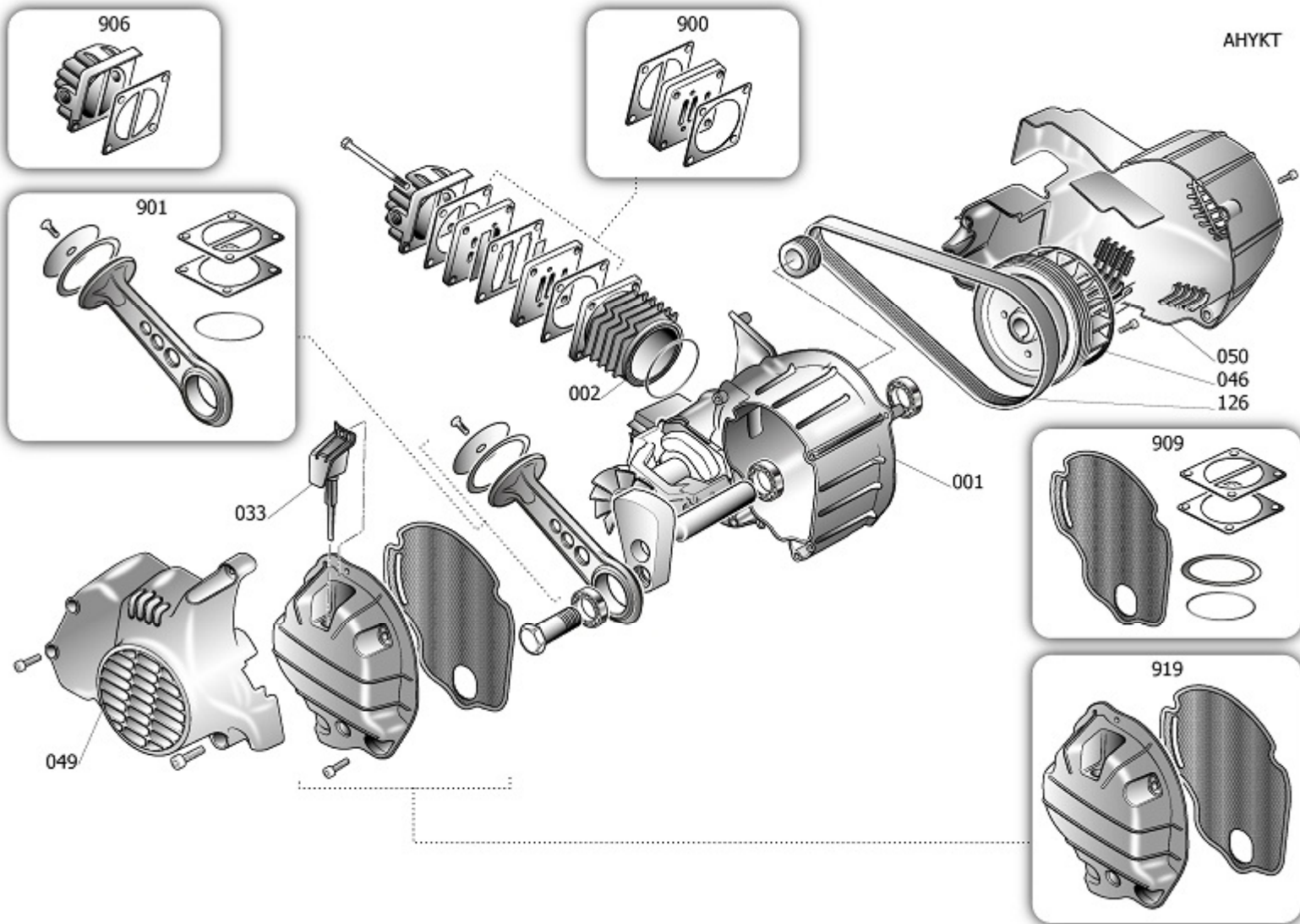




HYCT404NUA

FU-227/10/30V

Pos	Component	MU	Multiplier
23	9054016	GRUPO FILTRO AIRE	PZ 1,0
103	9038945	PIVOTING WHEEL/FOOT	PZ 2,0
105	9048137	VALVULA DE AJUSTE	PZ 1,0
106	9047087	GRIFO DE LINEA	PZ 1,0
107	9047078	GRIFO DESCARGA CONDENSACION	PZ 1,0
108	9051219	REDUCTOR PRESION	PZ 1,0
109	9052202	MANOMETRO	PZ 1,0
109	9052203	MANOMETRO	PZ 1,0
110	9049193	VALVULA DE SEGURIDAD	PZ 1,0
116	9038469	TAPON	PZ 2,0
117	9038625	EMPUÑADURA	PZ 1,0
131	9063274	PRESOSTATO COMPLETO	PZ 1,0
132	9065869	CABLE DE ALIMENTACION	PZ 1,0
138	9050698	FASCETTA	PZ 2,0
145	9043722	TUBO IMPULSION	PZ 1,0
164	9417577	FITTING BARB 90° 1/4" 6 LONG R	PZ 1,0
200	HY0000A	GRUPO CABEZAL	PZ 1,0
300	9421357	KIT RUEDAS/PIES	PZ 1,0
431	9069035	CONTROL PANEL	PZ 1,0
602	9064886	CONTROLADOR ELECTRONICO	PZ 1,0





HY0000A

GRUPO CABEZAL

Pos	Component	MU	Multiplier
1	9417507 CARTER	PZ	1,0
2	9417509SGL CILINDRO	PZ	1,0
4	9417502 ARBOL	PZ	1,0
9	9417500 COUNTERWEIGHT	PZ	1,0
10	9417503 CRANKSHAFT PIN	PZ	1,0
29	9417504 VOLANTE	PZ	1,0
30	9170121 6302.2RS.C3.P6.V2.Z2.170°.ROHS	PZ	2,0
30	9415531 6201.2RS.C3.P6.V2.Z2.170°.ROHS	PZ	1,0
33	9069022 TAPON ACEITE	PZ	1,0
46	9069023 VENTILADOR	PZ	1,0
49	9069025 CARENADO SUPERIOR	PZ	1,0
50	9069026 CARENADO INFERIOR	PZ	1,0
112	9050674 NIPLE	PZ	1,0
126	9075344 CORREA POLY V	PZ	1,0
900	9434A60 MPK VALVE PLATE OL227 HYBRID	PZ	1,0
901	9434B69 MPK PISTON-CONROD OL227 HYBR	PZ	1,0
906	9434G61 MPK HEAD OL227 HYBRID	PZ	1,0
909	9434F57 MPK GASKET OL227 HYBRID	PZ	1,0
919	9434L53 MPK CARTER COVER OL227 HYBR	PZ	1,0