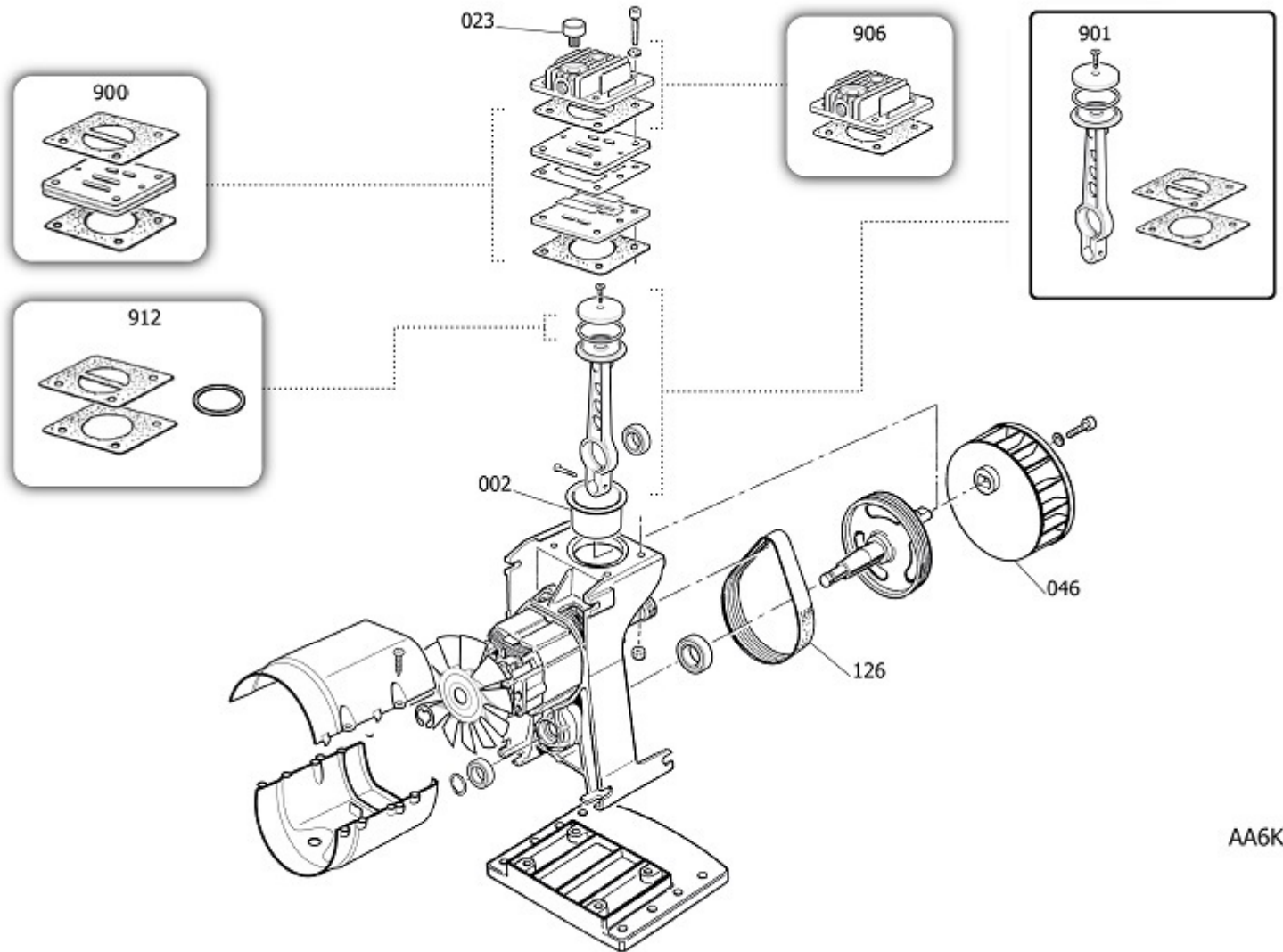




8215410NUA506

TALENTO

Pos	Component	MU	Multiplier
23	9069336	GRUPO FILTRO AIRE	PZ 1,0
49	9069321	CARENADO SUPERIOR	PZ 1,0
50	9069320	CARENADO INFERIOR	PZ 1,0
105	9412186	VALVULA DE AJUSTE	PZ 1,0
107	9047078	GRIFO DESCARGA CONDENSACION	PZ 1,0
109	9052014	MANOMETRO	PZ 1,0
110	9049335	VALVULA DE SEGURIDAD	PZ 1,0
112	9050601	NIPLE	PZ 1,0
124	9414249	CONN.SEND.PIPE SR10 MINIR.ROHS	PZ 1,0
131	9063252	PRESOSTATO COMPLETO	PZ 1,0
132	9065484	CABLE DE ALIMENTACION	PZ 1,0
133	9064185	INTERRUPTOR	PZ 1,0
145	9043883	TUBO IMPULSION	PZ 1,0
145	9043884	TUBO IMPULSION	PZ 1,0
200	A8000WB	GRUPO CABEZAL	PZ 1,0



AA6KT



8215410NUA506

GRUPO CABEZAL

Pos	Component		MU	Multiplier
1	A861102	CARTER	PZ	1,0
2	A731000	CILINDRO	PZ	1,0
4	A861202	ARBOL	PZ	1,0
19	9131678	WASHER 5,3X12X1,5 ROHS	PZ	1,0
30	9170114	6001.2RS.C3.P6.V2.Z2.170°.ROHS	PZ	1,0
30	9170130	BEARING 6203 2Z XL (345)	PZ	1,0
30	9415531	6201.2RS.C3.P6.V2.Z2.170°.ROHS	PZ	1,0
45	9140211	SEEGER 12 UNI 7435 ROHS	PZ	1,0
46	9038484	VENTILADOR	PZ	1,0
126	9075341	CORREA POLY V	PZ	1,0
900	9434A67	MPK VALVE PLATE OL197SIL WALLT	PZ	1,0
901	9434B83	MPK PISTON-CONROD OL197 WALLTE	PZ	1,0
906	9434G66	MPK HEAD OL197SIL WALLTECH-PRO	PZ	1,0
912	9434C71	MPK PISTON RINGS OL197S WALLTE	PZ	1,0