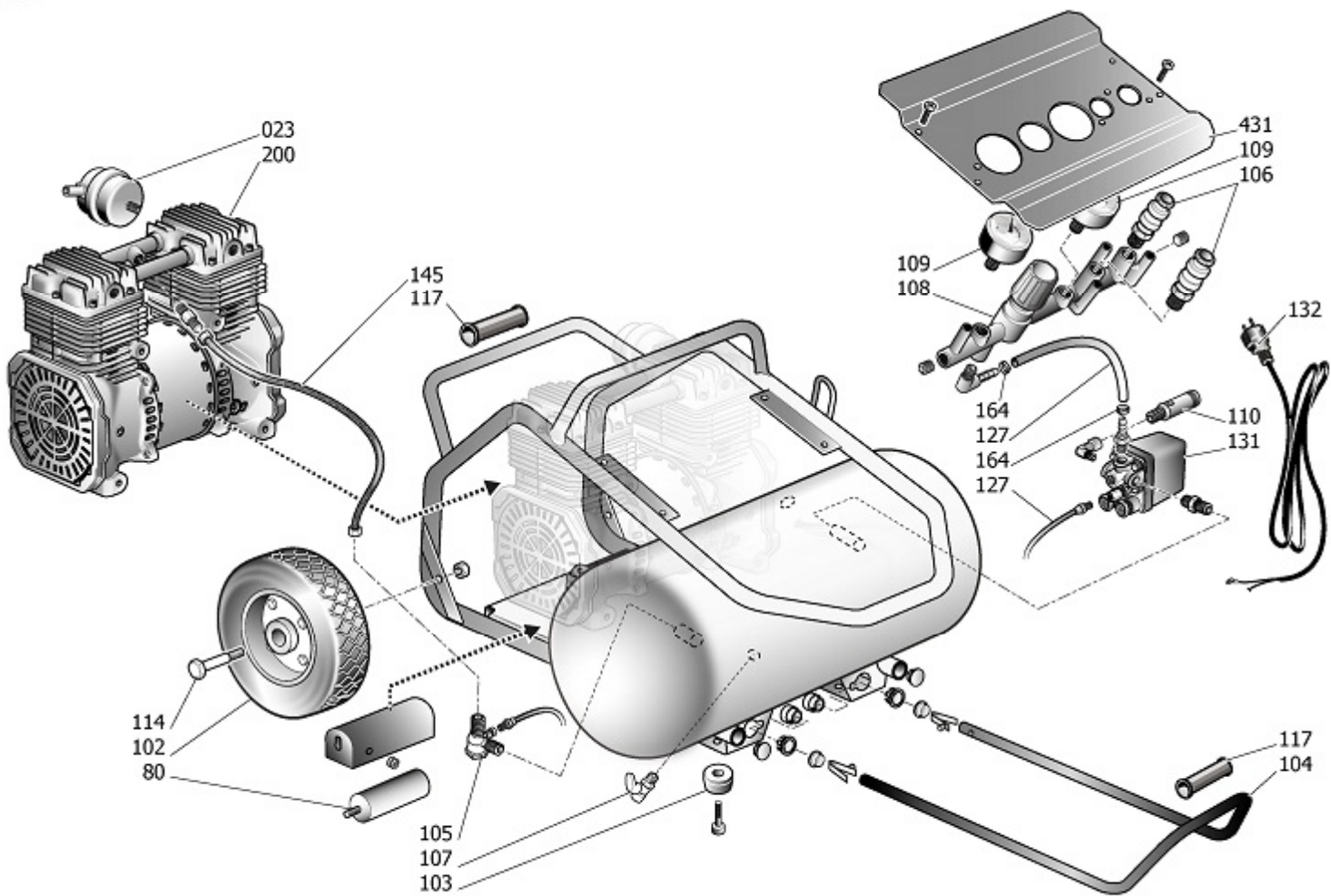


BB2R4



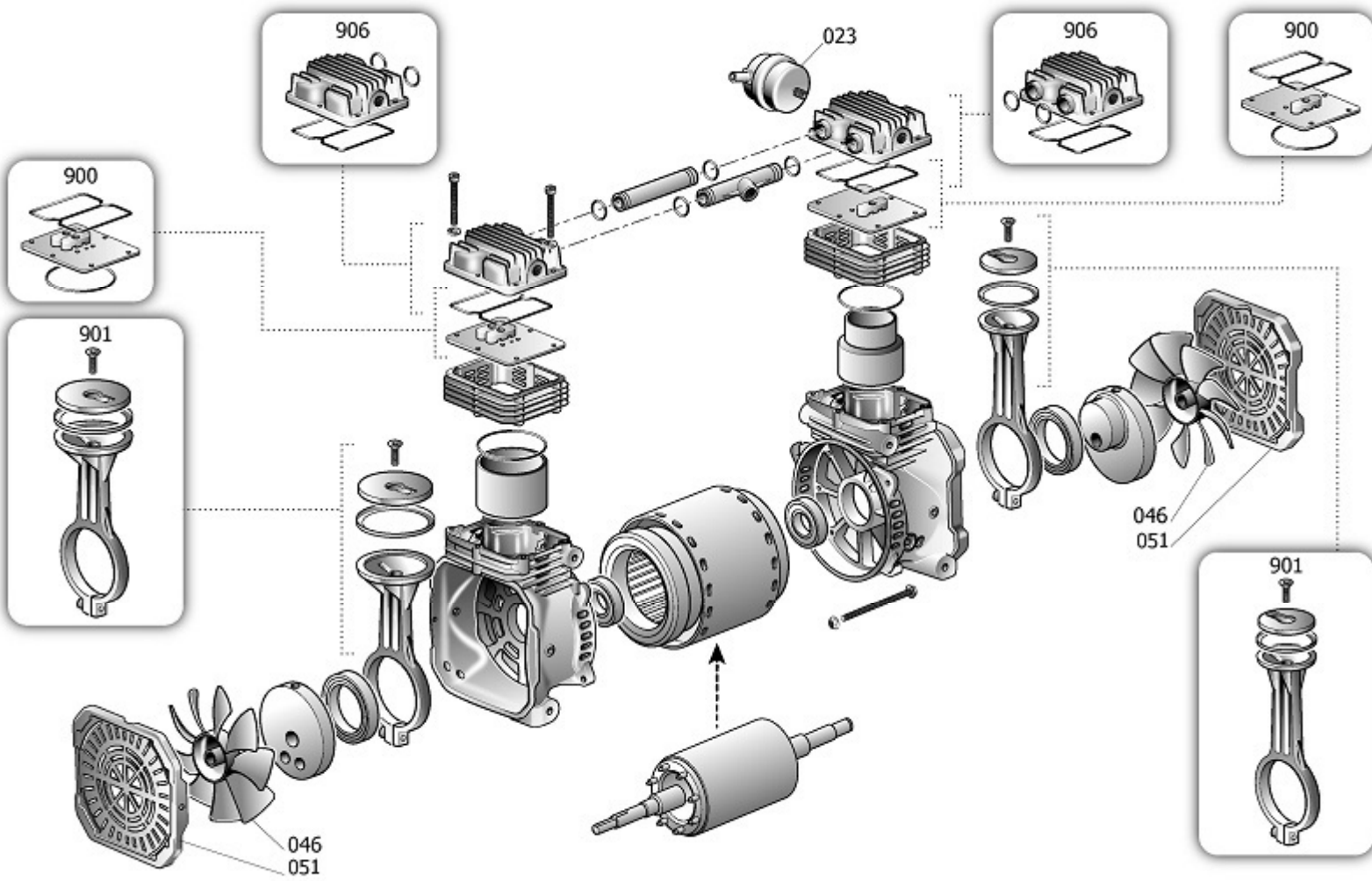


8216090NUA

SILTEK PRO 20 T

Pos	Component	MU	Multiplier
36	9004008	ARANDELA VOLANTE	PZ 4,0
80	9067058	CONDENSADOR	PZ 1,0
102	9415668	RUEDA	PZ 2,0
103	B_SST108	PIVOTING WHEEL/FOOT	PZ 2,0
104	9083743021	PUÑO	PZ 1,0
105	9048146	VALVULA DE AJUSTE	PZ 1,0
106	9412204	GRIFO DE LINEA	PZ 2,0
107	9047078	GRIFO DESCARGA CONDENSACION	PZ 1,0
108	9050778	REDUCTOR PRESION	PZ 1,0
109	9052272	MANOMETRO	PZ 2,0
110	9049519	VALVULA DE SEGURIDAD	PZ 1,0
114	9011084	PERNO RUEDA	PZ 2,0
116	9038352	TAPON	PZ 4,0
117	9038599	EMPUÑADURA	PZ 2,0
127	9270006	RILSAN PIPE 4/6 BLACK	MT 0,2
127	9270051	HOSE .375 ID ROLL BLK (FC)_LC	MT 0,2
131	9063313	PRESOSTATO COMPLETO	PZ 1,0
132	9065847	CABLE DE ALIMENTACION	PZ 1,0
138	B_A20009	FASCETTA	PZ 2,0
145	9043889	TUBO IMPULSION	PZ 1,0
164	9050592	ELBOW 1/4" MF FG.92 ROHS	PZ 1,0
200	B2A0000	GRUPO CABEZAL	PZ 1,0
431	9083745021	CONTROL PANEL	PZ 1,0

AB2K4





B2A0000

GRUPO CABEZAL

Pos	Component	MU	Multiplier
1	B260500	CARTER	PZ 1,0
1	B260501	CARTER	PZ 1,0
2	B230100	CILINDRO	PZ 1,0
2	B230200	CILINDRO	PZ 1,0
2	B260600	CILINDRO	PZ 1,0
23	B280100	GRUPO FILTRO AIRE	PZ 1,0
28	9050765	COOLING TUBE	PZ 1,0
30	9170138	BEARING 61909-2RZ	PZ 2,0
30	9170144	BEARING 6204 2Z (#669)	PZ 2,0
45	9140211	SEEGER 12 UNI 7435 ROHS	PZ 2,0
46	9069313	VENTILADOR	PZ 1,0
46	9069314	VENTILADOR	PZ 1,0
47	9067758	ROTOR	PZ 1,0
48	9067757	ESTATOR BOBINADO	PZ 1,0
51	9069315	COPRIVENTOLA MOTORE	PZ 2,0
900	9434A69	MPK VALVE PLATE QUADRA 1500 LF	PZ 1,0
900	9434A70	MPK VALVE PLATE QUADRA 1500 RG	PZ 1,0
901	9434B85	MPK PIST-CONROD QUADRA 4P (LP)	PZ 1,0
901	9434B86	MPK PIST-CONROD QUADRA 4P (HP)	PZ 1,0
906	9434G70	MPK HEAD QUADRA 4P 1500W (LF)	PZ 1,0
906	9434G71	MPK HEAD QUADRA 4P 1500W (RG)	PZ 1,0