

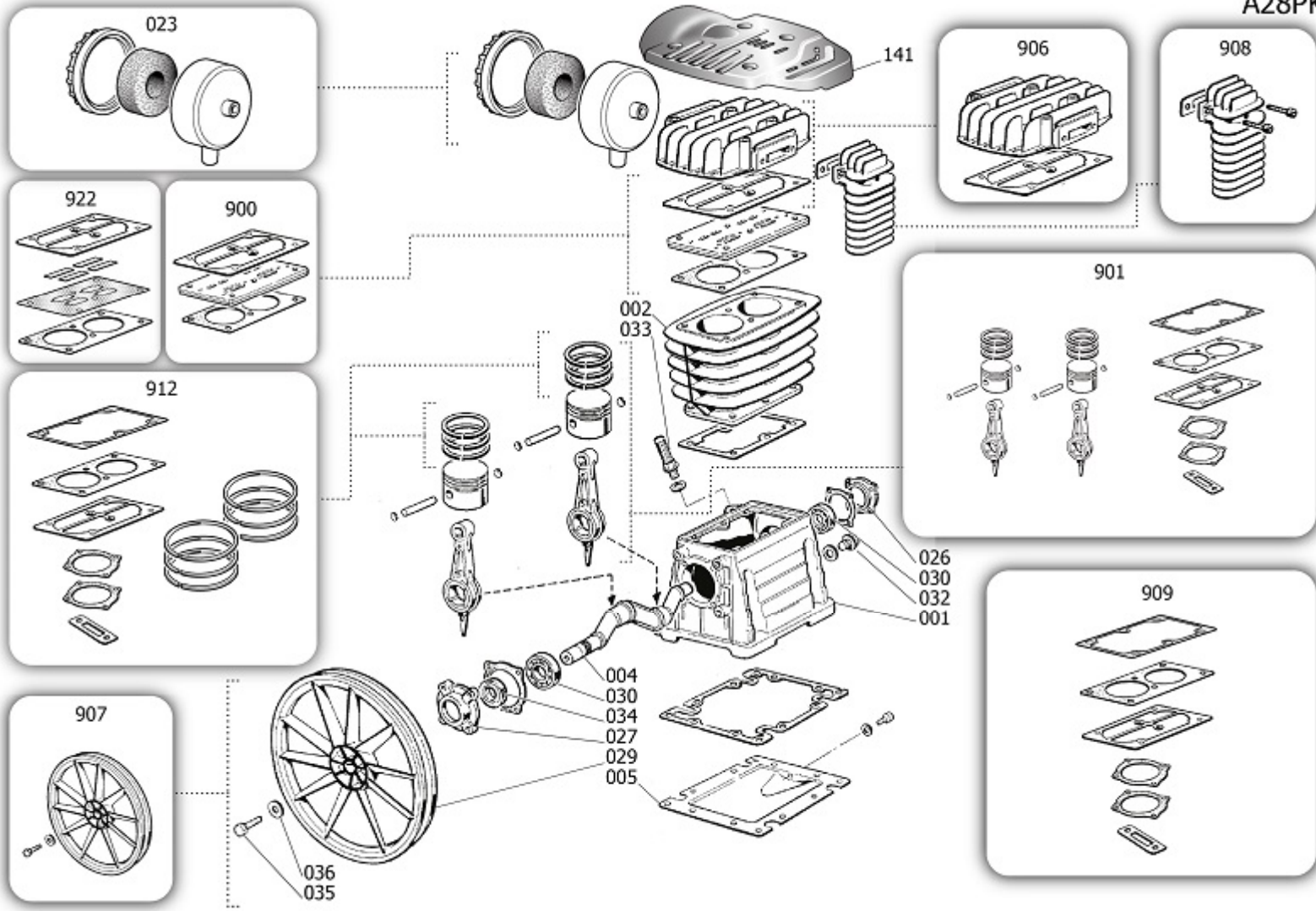


36FR504NUA318

AIR SIL EVO B3800B/3CM/100

Pos	Component	MU	Multiplier
104	\$14200280	PUÑO	PZ 1,0
105	9048007	VALVULA DE AJUSTE	PZ 1,0
106	4100811	GRIFO DE LINEA	PZ 3,0
107	9047097	GRIFO DESCARGA CONDENSACION	PZ 1,0
108	9416614	REDUCTOR PRESION	PZ 1,0
109	9052071	MANOMETRO	PZ 1,0
109	9052072	MANOMETRO	PZ 1,0
110	9049304	VALVULA DE SEGURIDAD	PZ 1,0
112	9416615	NIPLE	PZ 1,0
125	9076021	POLEA	PZ 1,0
126	9075016	CORREA POLY V	PZ 1,0
127	9270019	TUBO RILSAN 4X6 PTFE NEUTRO	MT 1,0
127	9270044	TUBO HYTREL 8X10 NERO	MT 0,4
131	9063301	PRESOSTATO COMPLETO	PZ 1,0
132	9065847	CABLE DE ALIMENTACION	PZ 1,0
135	84506CA	MOTOR	PZ 1,0
145	9043645	TUBO IMPULSION	PZ 1,0
165	#020027100	ANTIVIBR.D40 H30 2C.M8X23 60SH	PZ 4,0
200	370001C	GRUPO CABEZAL	PZ 1,0
300	9421468	KIT RUEDAS/PIES	PZ 1,0
400		CABINA COMPLETA	
431	9084070054	CONTROL PANEL	PZ 1,0
4058	\$16901730	REDUCCION 3/4"-1/2"	PZ 1,0

A28PK

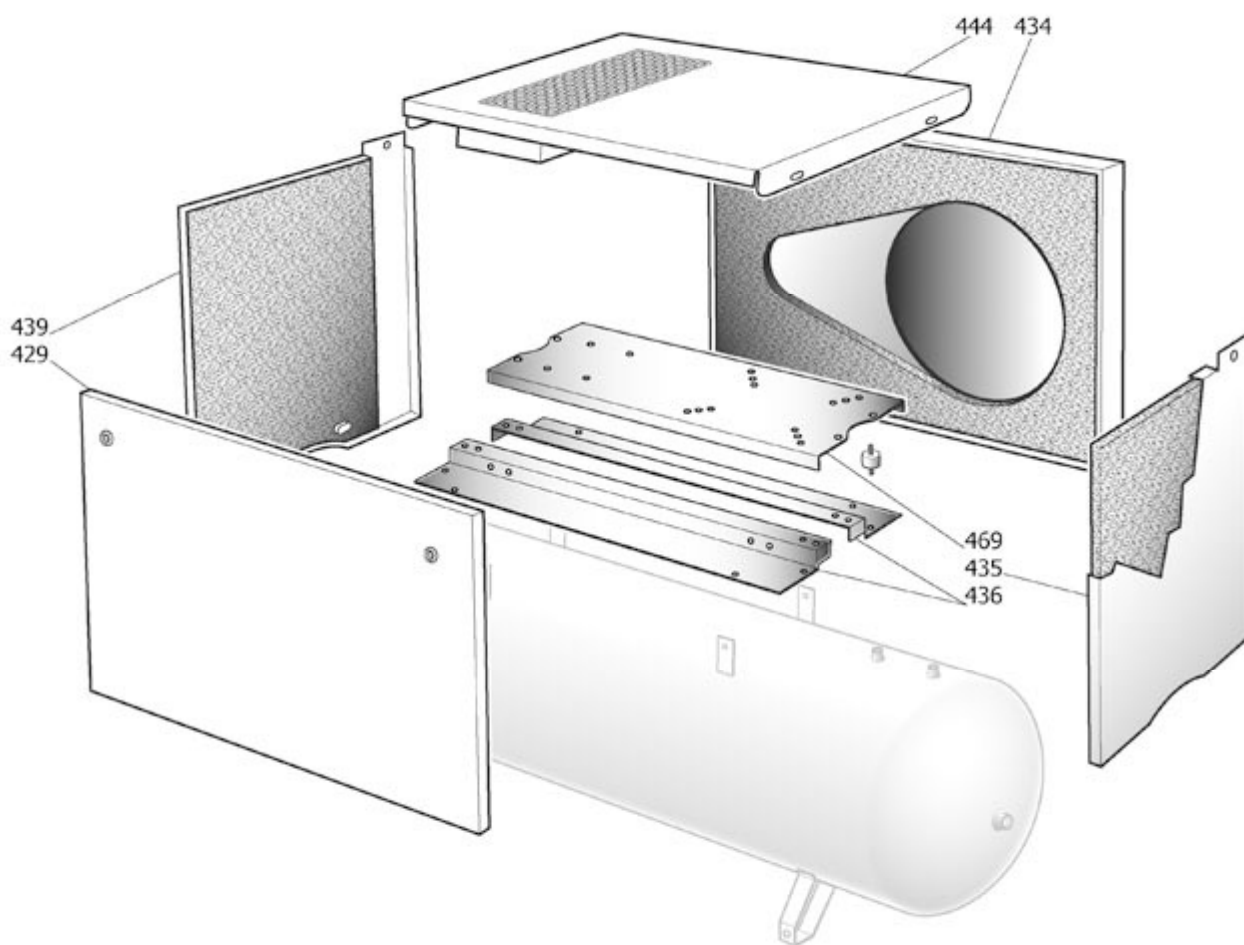




370001C

GRUPO CABEZAL

Pos	Component	MU	Multiplier
1	3660101	CARTER	PZ 1,0
2	9428042	CILINDRO	PZ 1,0
4	3660200	ARBOL	PZ 1,0
5	3660300	TAPA CARTER	PZ 1,0
23	9434M05	GRUPO FILTRO AIRE	PZ 1,0
26	2060690	TAPA DELANTERA	PZ 1,0
27	2060500	SOPORTE TRASERO CARCASA	PZ 1,0
30	9170030	6205.P6.C0.V2.Z2.ROHS	PZ 2,0
32	9434S00	INDICADOR ACEITE	PZ 1,0
33	9024029	TAPON ACEITE	PZ 1,0
34	9163010	JUNTA	PZ 1,0
900	9434A66	MPK VALVE PLATE B28/B38 SIL	PZ 1,0
901	9434B82	MPK PISTON-CONROD B3800 SIL	PZ 1,0
906	9434G74	MPK HEAD B28/B3800B_PRO	PZ 1,0
907	9428071	KIT VOLANTE	PZ 1,0
908	9434E06	MPK AFTERCOOLER B28I/B28/B38	PZ 1,0
909	9434F07	MPK GASKET B28/28I/38	PZ 1,0
912	9434C09	MPK PISTON RINGS B2800/B38	PZ 1,0





CABINA COMPLETA

Pos	Component		MU	Multiplier
429	N011100082	PORTILLO DELANTERO DER	PZ	1,0
434	N011099054	PANEL TRASERO	PZ	1,0
435	4800378054	PANEL TRASERO DER.	PZ	1,0
436	N012509054	BASE	PZ	1,0
439	4800379054	PANEL TRASERO IZQ.	PZ	1,0
444	4800187054	PANEL SUPERIOR	PZ	1,0
469	N012584054	CHAPA MOTOR	PZ	1,0